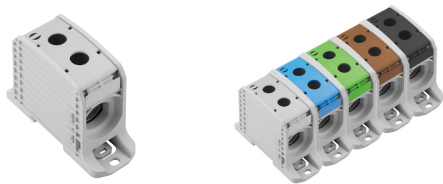


Weidmüller Interface GmbH & Co. KG
 Klingenbergstraße 16
 D-32758 Detmold
 Germany
 Fon: +49 5231 1429-0
 Fax: +49 5231 14292083
 www.weidmüller.com

W-Series WPD 132 1X185/1X185 GY

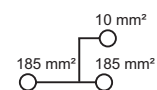


General ordering data

Type	WPD 132 1X185/1X185 GY
Order No.	2502750000
Version	W-Series, Distribution block, Rated cross-section: 185mm ² , Terminal rail/mounting plate
GTIN (EAN)	4050118516579
Qty.	1 pc(s)

Colour types

GY (light grey)	2502750000
BL (blue)	2502760000
GN (green)	2502770000
BN (brown)	2502780000
BK (black)	2502790000



Colour types

Width	37.5 mm (1.476 inch)
Height	105 mm (4.134 inch)
Depth	73.5 mm (2.894 inch)
Net weight	204 g

Material data and temperatures

Material body	Aluminium (tin plated)
Material housing	PA (Halogen-free)
UL 94 flammability rating	V-0
Continuous operating temp. area	-50 °C - 120 °C

Rating data

Rated cross-section	185 mm ²
Rated AC voltage	1,000 V AC
Rated current CU	353 A
Standards	IEC 60947-7-1
Pollution severity	3
Power loss according to IEC 60947-7-x	on request

Rated voltage	1,000 V
Rated AC voltage	1,000 V DC
Rated current (AI)	-
Rated impulse withstand voltage	8 kv
Surge voltage category	III
Contact resistance according to IEC 60947-7-x	on request

Rating data IECEx/ATEX

Certificate No. (ATEX)	CNEX 18 ATEX 0016U
Max. voltage (ATEX)	1,100 V
Current (ATEX)	353 A

Certificate No. (IECEx)	IECEx CNEX 18.0010U
Max. voltage (IECEx)	1,100 V
Current (IECEx)	353 A

UL rating data

Certificate No. (UR)	XCFR2.E60693
Current size B,C (UR) - CU	310 A
Coltage size B,C (UR)	600 V
Wire cross section max. (UR)	3/0 AWG str.

Current size B,C (UR) - AI	250 A
Voltage size B,C (UR)	600 V
Wire cross section min. (UR)	350 kcmil str.

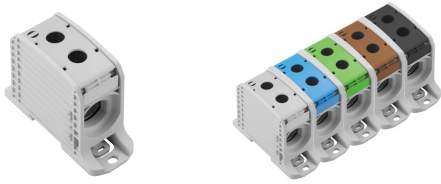
CSA rating data

Certificate No. (cURus)	XCFR2.E60693
Current size B,C (cURus) - CU	310 A
Coltage size B,C (cURus)	600 V
Wire cross section max. (cURus)	3/0 AWG str.

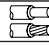
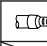

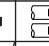
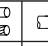
Current size B,C (cURus) - AI	250 A
Voltage size C (cURus) - AI	600 V
Wire cross section min. (cURus)	350 kcmil str.

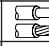
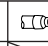
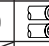
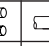
Weidmüller Interface GmbH & Co. KG
 Klingenbergstraße 16
 D-32758 Detmold
 Germany
 Fon: +49 5231 1429-0
 Fax: +49 5231 14292083
 www.weidmüller.com

W-Series
WPD 132 1X185/1X185 GY

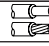
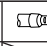


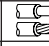
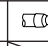
Conductor connection data

Input (x1) / Output (x1)	Copper			Alluminium	
					
185 mm ²	25 Nm	25 Nm	30.9 Nm	30.9 Nm	30.9 Nm
150 mm ²					
120 mm ²					
95 mm ²					
70 mm ²	20 Nm	30.9 Nm	30.9 Nm	30.9 Nm	30.9 Nm
50 mm ²					
35 mm ²					
25 mm ²					
Flat band 10x15.5x0.8 mm			30.9 Nm		
Max. current	353 A			284 A	
Stripping lengths	29 mm				
Allen screw	M18 (SW 10 mm)				

Input (x1) / Output (x1)	Copper		Alluminium	
				
350 kcmil	250Lb In.	250Lb In.	398Lb In.	398Lb In.
300 kcmil				
250 kcmil				
AWG 3/0				
AWG 2/0	200Lb In.	200Lb In.	200Lb In.	200Lb In.
AWG 1/0				
AWG 2/0				
AWG 4				
Max. current	310 A		250 A	
Stripping lengths	29 mm			
Allen screw	M18 (SW 10 mm)			

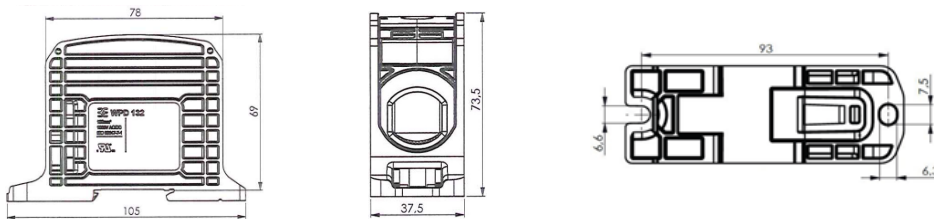
Auxiliary connection

	Copper	
		
10 mm ²	1.2 Nm	1.2 Nm
6 mm ²		
4 mm ²		
2.5 mm ²		
1.5 mm ²		
Max. current	57 A	
Stripping lengths	10 mm	
Screw	M4 (+/- PZ2)	

	Copper	
		
AWG 8	20.3Lb In.	20.3Lb In.
AWG 10		
AWG 12		
AWG 14		
AWG 16		
Max. current	57 A	
Stripping lengths	10 mm	
Screw	M4 (+/- PZ2)	



Drawings



WPD 132
 Power loss diagramm for copper conductors

