

# Klemsan® CT series

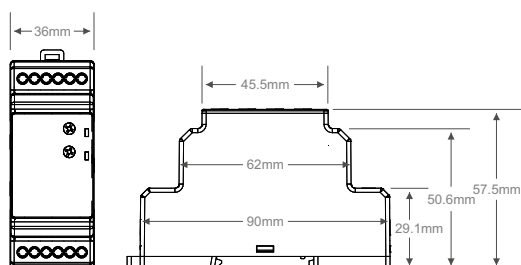
## Isolated True RMS Current Transducer

| type      | order no |
|-----------|----------|
| CT3-AC    | 600 100  |
| CT3-AC-24 | 600 102  |
| CT3-AC-LP | 600 104  |

### technical specifications

|                                     |  |
|-------------------------------------|--|
| Supply voltage ( $U_N$ )            | CT3-AC : 85 .. 265V AC/DC<br>CT3-AC-24 : 10 .. 36V DC<br>CT3-AC-LP : 9 .. 30V DC   |
| Power consumption                   | < 1.5 W<br>< 4 VA  |
| Response time                       | < 350 ms   |
| Measurement error                   | < %0.2 (full scale, 25°C)  |
| Temperature coefficient             | < 150 ppm/°C   |
| Surge withstand                     | 100A (1s)  |
| Continuous overload current         | 10A  |
| Input signal range (configurable)   | 0 .. 1 A AC<br>0 .. 2 A AC<br>0 .. 3 A AC<br>0 .. 4 A AC<br>0 .. 5 A AC  |
| Input signal frequency              | 40 .. 70 Hz  |
| Analog output signal (configurable) | 0 .. 20 mA<br>4 .. 20 mA<br>$\pm 20$ mA<br>20 .. 0 mA<br>20 .. 4 mA<br>0 .. 5 V<br>0 .. 10 V<br>$\pm 5$ V<br>$\pm 10$ V<br>10 .. 0 V |
| CT3-AC, CT3-AC-24                   | 20 .. 4 mA<br>0 .. 5 V<br>0 .. 10 V<br>$\pm 5$ V<br>$\pm 10$ V<br>10 .. 0 V  |
| Analog output signal (CT3-AC-LP)    | 4 .. 20 mA   |
| Maximum analog output current       | 24mA   |
| Maximum analog output voltage       | 12V  |
| Load                                | $\leq 600\Omega$ (current output)<br>$\geq 10k\Omega$ (voltage output)   |
| Operating temperature               | -20°C .. 60°C  |
| Isolation                           | 1.5kV <sub>RMS</sub> (Cont.) , 3kV <sub>RMS</sub> (5sec.)  |
| IP class                            | IP20   |
| Connection                          | Screw terminals  |
| Mounting type                       | Rail mounted   |

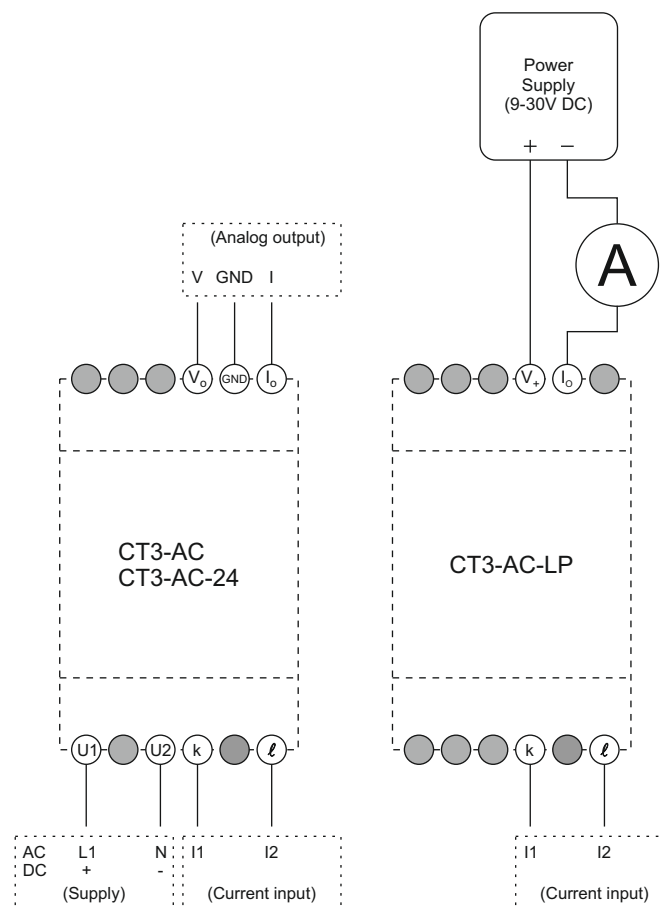
### dimensions



### failure indication

| Failure Status                        | LED Indication |
|---------------------------------------|----------------|
| voltage output mode:<br>short circuit | Err:           |
| current output mode:<br>open circuit  | Err:           |
| no signal                             | ON:            |

### connections



### isolation diagram

