

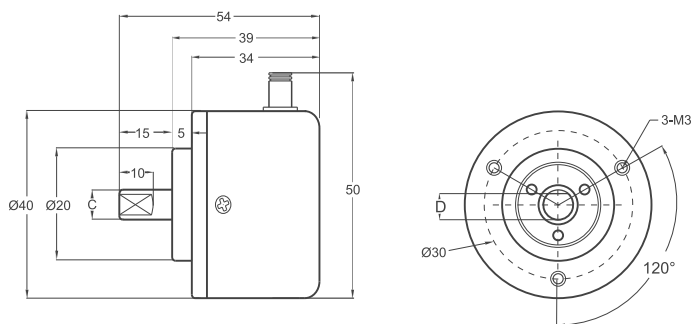
Optic Rotary Incremental Encoder

- 40 mm case diameter
- 100 - 200 - 250 - 300 - 360 - 400 - 500 - 512 - 600 - 1000 - 1024 - 1250 ppr.
- Push-Pull, TTL Linedriver and HTL Linedriver outputs
- Shaft diameter 4 - 6 mm
- 3500 rpm max.



Technical Specifications

| | |
|---------------------------------------|---|
| Resolution | 100 to 1250 ppr. |
| Output Channels | A,B,Z or A,Ā, B,Ā, Z,Z̄ |
| Output Type | Push-Pull, TTL Linedriver, HTL Linedriver |
| Supply Voltage | 5 VDC, 8 - 24 VDC or 5 - 24 VDC |
| Power Consumption (without load) | < 40 mA (24 VDC) |
| Cable | 1.5m (standard) 5 wire + Shield (Push-Pull) 1.5m (standard) 8 wire + Shield (Linedriver) |
| Max. Permissible Shaft Loading Radial | 80 N |
| Max. Speed | 3500 rpm |
| Shaft Diameter | Ø4 - 6 mm |
| Shaft Material | Stainless steel |
| Case Diameter | Ø40 mm |
| Case Material | Aluminium and painted steel |
| IP Degree | IP 54 |
| Operating Temperature | -20°C ... +80°C |
| Storage Temperature | -30°C ... +90°C |



Shaft type / Radial

| | | |
|--------|--------------|---------|
| PRI 40 | R (shaft) | |
| | C | D |
| | Ø4 mm | 3.30 mm |
| | Ø6 mm | 5.30 mm |

Push-Pull Cable Output

+V : Brown
0V : White
GND : Shield
Ch A : Yellow
Ch B : Green
Ch Z : Gray

TTL - HTL Linedriver Cable Output

+V : Brown
0V : White
GND : Shield
Ch A : Yellow
Ch B : Green
Ch Z : Gray
Ch A inv.: Blue
Ch B inv.: Red
Ch Z inv.: Pink

| Model | Case Diameter | Case Type | Shaft Diameter | Output Type | Resolution | Output Channels | Supply Voltage | Connector / Cable | Cable Output |
|---------------|---------------|--------------------|--------------------|---|-------------------|---------------------------------|-----------------------------|--|--------------|
| (example) PRI | 40 | A | R6 | HLD | 1250 | Z | V2 | 2M5 | R |
| PRI | 40mm | A: Clamping flange | R4: 4mm R6: 6mm | LTP : Push-Pull LD : TTL Linedriver HLD: HTL Linedriver | 100 ... 1250 ppr. | Z :A,B,Z B :A,B Z̄: Ā,Ā,Ā | V1 : 5 VDC V3 : 5-24 VDC | 2M5: 2,5 meter cable 5M : 5 meter cable | R: Radial |