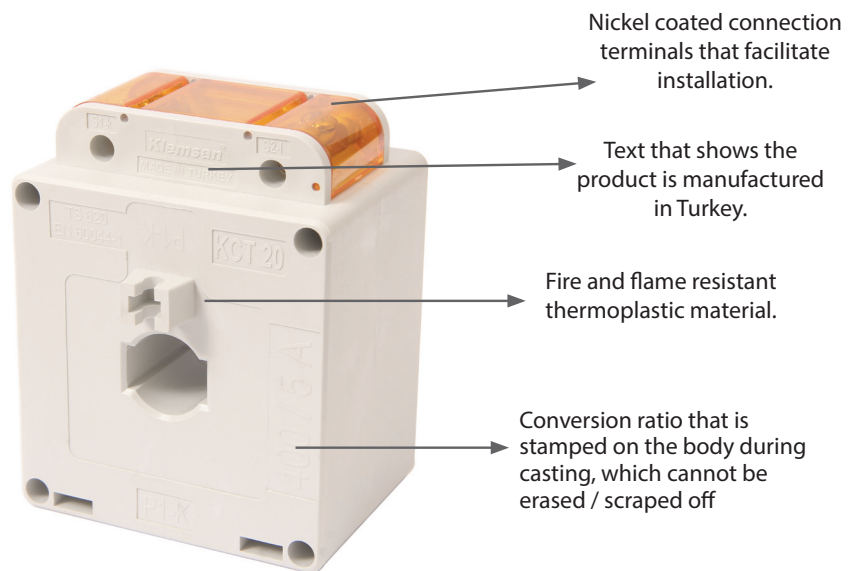


KLEMSAN low voltage current transformers transform primary currents from 20A to 5000A in desired power and accuracy ratings into 1A or 5A secondary current.

KLEMSAN low voltage current transformers are manufactured in accordance with TS 620 EN 60044-1 with 11 different sizes for varying bus bar measurements. When desired, they can be manufactured with seals from Ministry of Industry and Commerce.

- Quality control for all magnetic kernels are performed and categorized before manufacturing.
- The primary-secondary intermediary insulation strength, which is required as 3 kV in TS 620 EN 60044-1 is 7 kV in Klemsan current transformers.
- Every manufactured Current Transformer is checked for accuracy class using Omicron brand test device.



Current Transformers

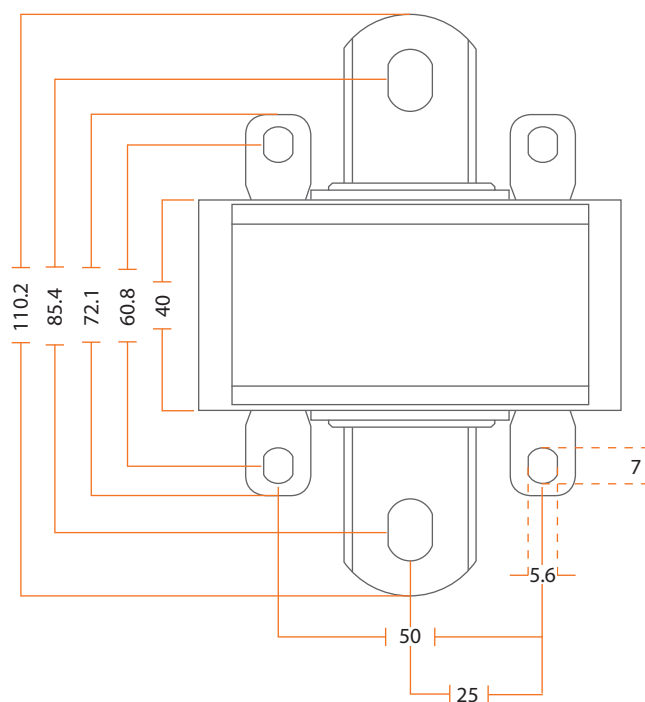
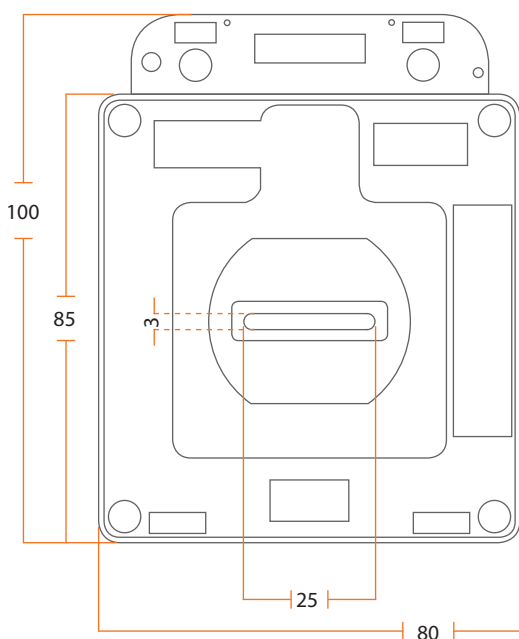
Technical Specifications

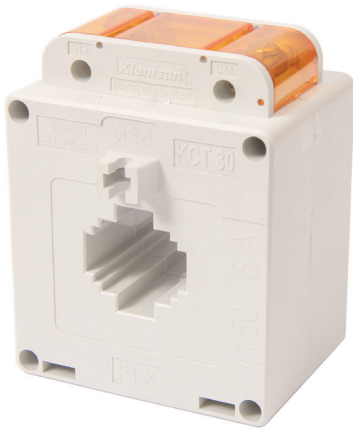
Highest Mains Voltage	0.72 kV
Location of Use	Indoors
Continuous Operation Current	1.2 x I _n
Primary-Secondary Intermediary Insulation Breakdown Voltage	7 kV (3 kV in the standard)
Accuracy class	0.2 - 0.5 - 1 - 3 (for protection 5P10 - 10P10 - 5P20 - 10P20)
Safety Coefficient I _p n ≤ 2.000A (Scale Class)	< 5
Safety Coefficient I _p n ≤ 2.000A (Scale Class)	< 10
Powers	1.5 - 1.5 - 3.75 - 5 - 7.5 - 10 - 15 - 20 - 25 - 30 VA
Nominal Primary Current	5 A to 5.000 A
Nominal Secondary Current	1 A and 5 A
Operating Frequency	50 - 60 - 150 Hz.
Operating Temperature	-5°C / + 45°C
Thermal Rated Current	I _{th} = 60xI _n
Dynamic Rated Current	I _{dyn} =2.5xI _{th}



KCT25B Series Bus Bar Current Transformers

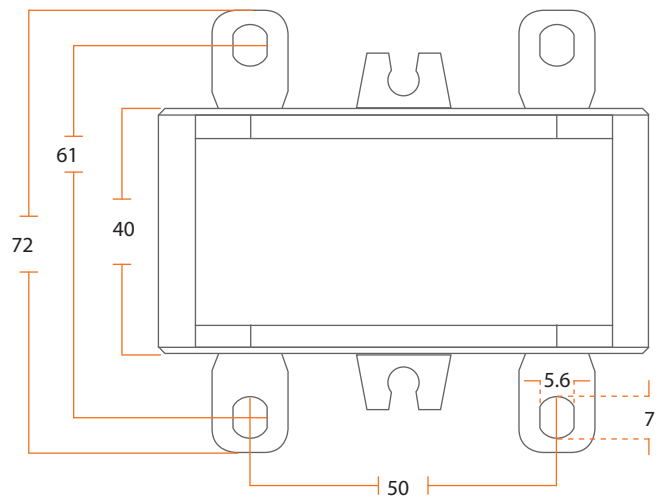
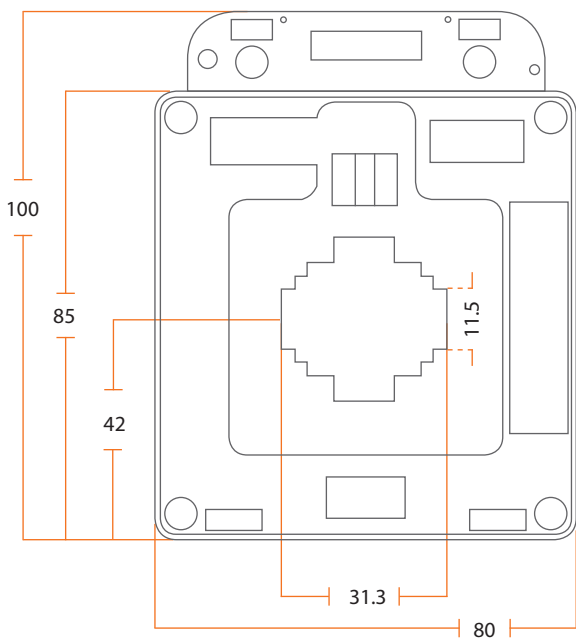
Stock Code	Stock Name	Primary Current (A)	Secondary Current (A)	Bus Bar Measurement (mm)	Type	Power (VA)	Accuracy Class (%)
0.0.0.7.01010	KCT25B-20	20	5	Self Bus Bar	Standard	10	0,5
0.0.0.7.01020	KCT25B-25	25	5	Self Bus Bar	Standard	10	0,5
0.0.0.7.01030	KCT25B-30	30	5	Self Bus Bar	Standard	10	0,5
0.0.0.7.01040	KCT25B-40	40	5	Self Bus Bar	Standard	10	0,5
0.0.0.7.01050	KCT25B-50	50	5	Self Bus Bar	Standard	10	0,5
0.0.0.7.01060	KCT25B-60	60	5	Self Bus Bar	Standard	10	0,5
0.0.0.7.01070	KCT25B-75	75	5	Self Bus Bar	Standard	10	0,5
0.0.0.7.01080	KCT25BN-80	80	5	Self Bus Bar	Standard	10	0,5
0.0.0.7.01090	KCT25B-100	100	5	Self Bus Bar	Standard	10	0,5
0.0.0.7.01100	KCT25B-125	125	5	Self Bus Bar	Standard	10	0,5
0.0.0.7.01110	KCT25B-150	150	5	Self Bus Bar	Standard	10	0,5





KCT30 Series Current Transformers

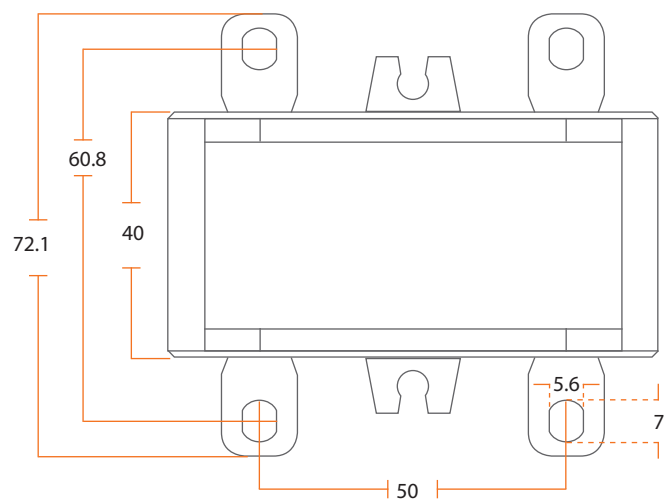
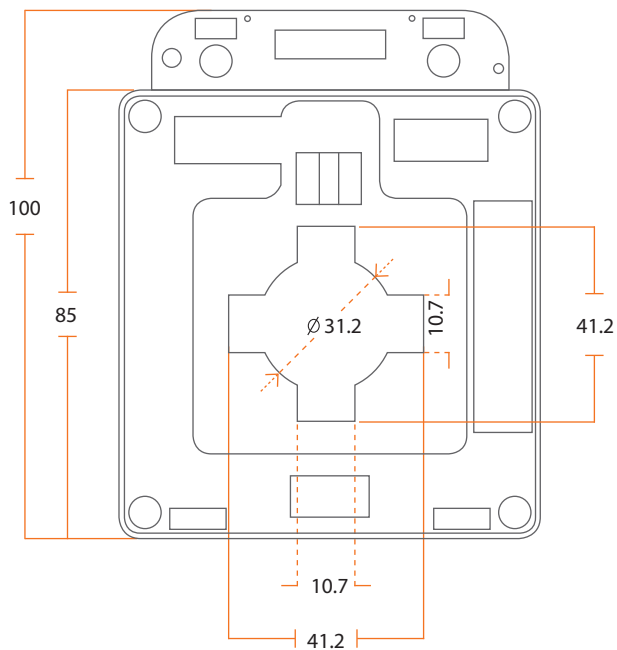
Stock Code	Stock Name	Primary Current (A)	Secondary Current (A)	Bus Bar Measurement (mm)	Type	Power (VA)	Accuracy Class (%)
0.0.0.7.01150	KCT30-150	150	5	30x10	Standard	5	0,5
0.0.0.7.01160	KCT30-200	200	5	30x10	Standard	10	0,5
0.0.0.7.01170	KCT30-250	250	5	30x10	Standard	10	0,5
0.0.0.7.01180	KCT30-300	300	5	30x10	Standard	10	0,5
0.0.0.7.01190	KCT30-400	400	5	30x10	Standard	10	0,5
0.0.0.7.01200	KCT30-500	500	5	30x10	Standard	10	0,5
0.0.0.7.01210	KCT30-600	600	5	30x10	Standard	10	0,5





KCT40 Series Current Transformers

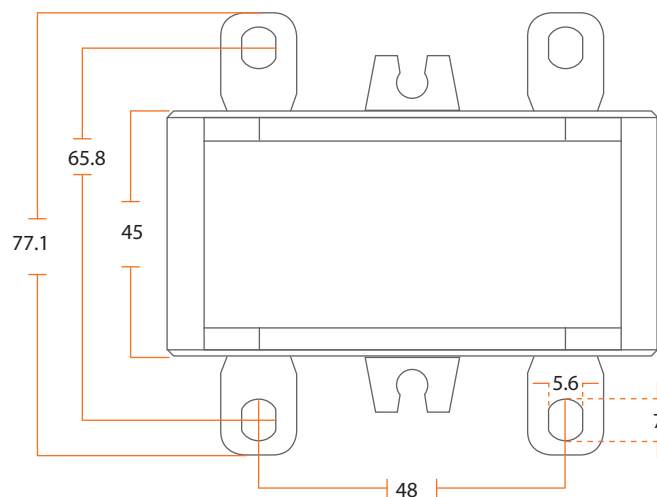
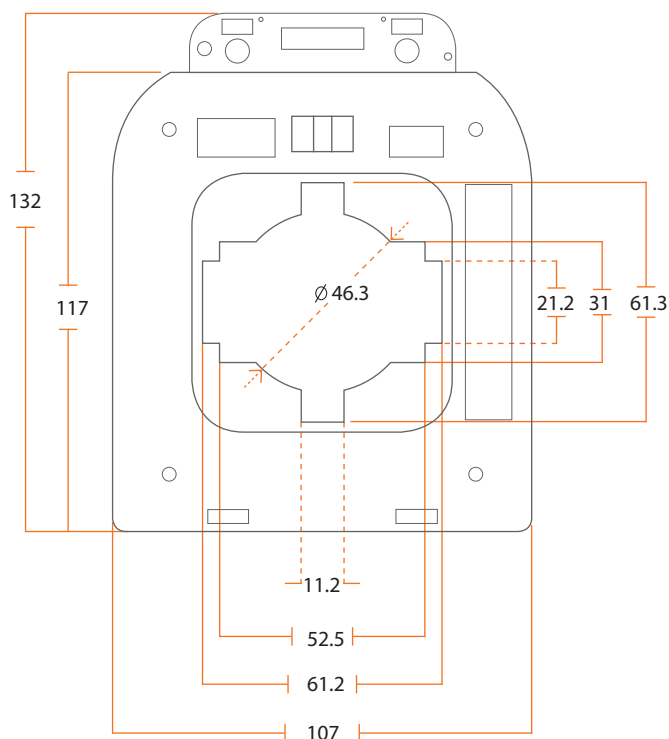
Stock Code	Stock Name	Primary Current (A)	Secondary Current (A)	Bus Bar Measurement (mm)	Type	Power (VA)	Accuracy Class (%)
0.0.0.7.01220	KCT40-200	200	5	40 x 10	Standard	10	0,5
0.0.0.7.01230	KCT40-300	300	5	40 x 10	Standard	10	0,5
0.0.0.7.01240	KCT40-400	400	5	40 x 10	Standard	10	0,5
0.0.0.7.01250	KCT40-500	500	5	40 x 10	Standard	10	0,5
0.0.0.7.01260	KCT40-600	600	5	40 x 10	Standard	10	0,5
0.0.0.7.01270	KCT40-750	750	5	40 x 10	Standard	10	0,5
0.0.0.7.01280	KCT40-800	800	5	40 x 10	Standard	10	0,5





KCT60 Series Current Transformers

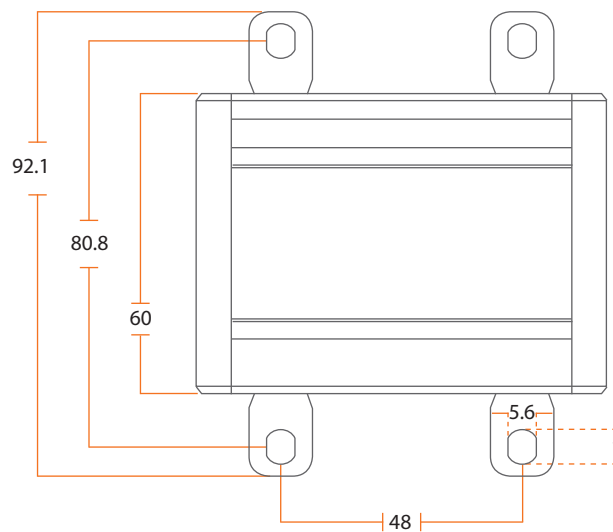
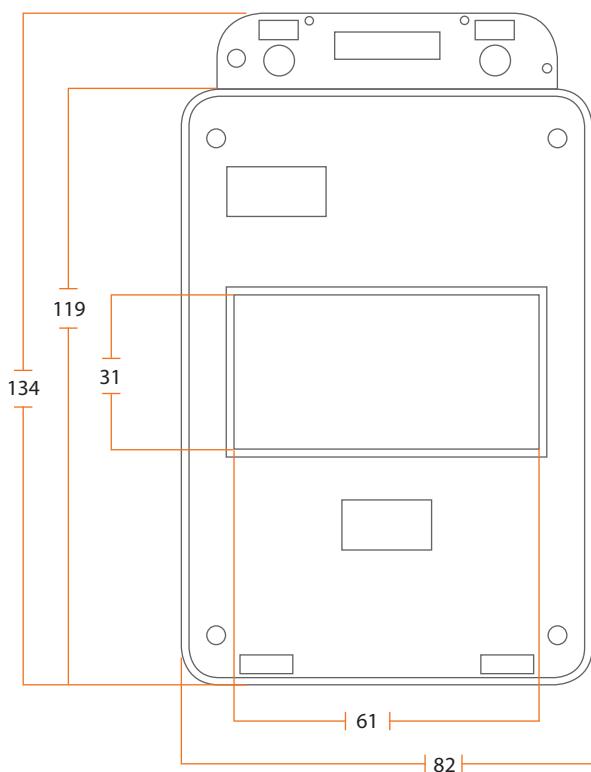
Stock Code	Stock Name	Primary Current (A)	Secondary Current (A)	Bus Bar Measurement (mm)	Type	Power (VA)	Accuracy Class (%)
0.0.0.7.01290	KCT60-400	400	5	60 x 10	Standard	15	0,5
0.0.0.7.01300	KCT60-500	500	5	60 x 10	Standard	15	0,5
0.0.0.7.01310	KCT60-600	600	5	60 x 10	Standard	15	0,5
0.0.0.7.01320	KCT60-750	750	5	60 x 10	Standard	15	0,5
0.0.0.7.01330	KCT60-800	800	5	60 x 10	Standard	15	0,5
0.0.0.7.01340	KCT60-1000	1000	5	60 x 10	Standard	15	0,5
0.0.0.7.01350	KCT60-1200	1200	5	60 x 10	Standard	15	0,5
0.0.0.7.01360	KCT60-1250	1250	5	60 x 10	Standard	15	0,5
0.0.0.7.01370	KCT60-1500	1500	5	60 x 10	Standard	15	0,5
0.0.0.7.01380	KCT60-1600	1600	5	60 x 10	Standard	15	0,5

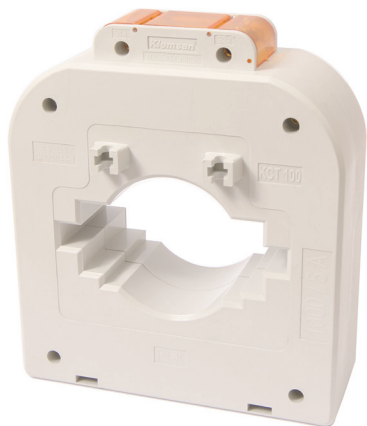




KCT60D Series Narrow Type Current Transformers

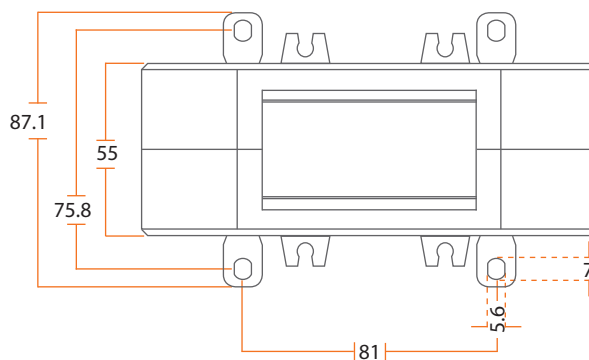
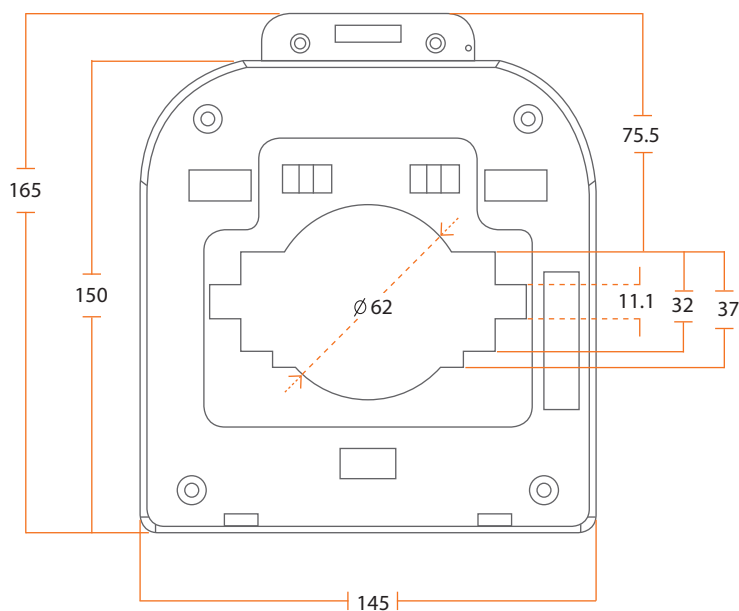
Stock Code	Stock Name	Primary Current (A)	Secondary Current (A)	Bus Bar Measurement (mm)	Type	Power (VA)	Accuracy Class (%)
0.0.0.7.01390	KCT60D-600	600	5	60 x 10	Narrow	5	0,5
0.0.0.7.01400	KCT60D-750	750	5	60 x 10	Narrow	7,5	0,5
0.0.0.7.01410	KCT60D-800	800	5	60 x 10	Narrow	7,5	0,5
0.0.0.7.01420	KCT60D-1000	1000	5	60 x 10	Narrow	10	0,5
0.0.0.7.01430	KCT60D-1200	1200	5	60 x 10	Narrow	15	0,5
0.0.0.7.01440	KCT60D-1250	1250	5	60 x 10	Narrow	15	0,5
0.0.0.7.01450	KCT60D-1500	1500	5	60 x 10	Narrow	15	0,5
0.0.0.7.01460	KCT60D-1600	1600	5	60 x 10	Narrow	15	0,5





KCT100 Series Current Transformers

Stock Code	Stock Name	Primary Current (A)	Secondary Current (A)	Bus Bar Measurement (mm)	Type	Power (VA)	Accuracy Class (%)
0.0.0.7.01470	KCT100-1000	1000	5	100 x 10	Standard	15	0,5
0.0.0.7.01480	KCT100-1200	1200	5	100 x 10	Standard	15	0,5
0.0.0.7.01490	KCT100-1250	1250	5	100 x 10	Standard	15	0,5
0.0.0.7.01500	KCT100-1500	1500	5	100 x 10	Standard	15	0,5
0.0.0.7.01510	KCT100-1600	1600	5	100 x 10	Standard	15	0,5
0.0.0.7.01520	KCT100-2000	2000	5	100 x 10	Standard	15	0,5
0.0.0.7.01530	KCT100-2500	2500	5	100 x 10	Standard	15	0,5





KCT100D Series Narrow Type Current Transformers

Stock Code	Stock Name	Primary Current (A)	Secondary Current (A)	Bus Bar Measurement (mm)	Type	Power (VA)	Accuracy Class (%)
0.0.0.7.01540	KCT100D-1000	1000	5	4 x (100 x 10)	Narrow	10	0,5
0.0.0.7.01550	KCT100D-1200	1200	5	4 x (100 x 10)	Narrow	15	0,5
0.0.0.7.01560	KCT100D-1250	1250	5	4 x (100 x 10)	Narrow	15	0,5
0.0.0.7.01570	KCT100D-1500	1500	5	4 x (100 x 10)	Narrow	15	0,5
0.0.0.7.01580	KCT100D-1600	1600	5	4 x (100 x 10)	Narrow	15	0,5
0.0.0.7.01590	KCT100D-2000	2000	5	4 x (100 x 10)	Narrow	15	0,5
0.0.0.7.01600	KCT100D-2500	2500	5	4 x (100 x 10)	Narrow	15	0,5
0.0.0.7.01610	KCT100D-3000	3000	5	4 x (100 x 10)	Narrow	30	0,5
0.0.0.7.01620	KCT100D-4000	4000	5	4 x (100 x 10)	Narrow	30	0,5

