

	AVK 2,5 Width: 5 mm 304 120	AVK 2,5 RD Width: 5 mm 304 200	AVK 4 Width: 6 mm 304 130	AVK 4 RD Width: 6 mm 304 210
Electrical Ratings CE (EN 60947-7-1) VDE (IEC 60947-7-1) UL / CSA ATEX	750 V ~ / 24 A / 2,5 mm ² 750 V ~ / 24 A / 2,5 mm ² 600 V ~ / 20 A / AWG 26 - 12 630 V ~ / 23 A	750 V ~ / 24 A / 2,5 mm ² 750 V ~ / 24 A / 2,5 mm ² 600 V ~ / 20 A / AWG 26 - 12 630 V ~ / 23 A	750 V ~ / 32 A / 4 mm ² 750 V ~ / 32 A / 4 mm ² 600 V ~ / 30 A / AWG 26 - 10 630 V ~ / 30,5 A	750 V ~ / 32 A / 4 mm ² 750 V ~ / 32 A / 4 mm ² 600 V ~ / 30 A / AWG 26 - 10 630 V ~ / 29 A
Cross Connection	UK 2,5/2-3-4-10-16-20-50	UK 2,5/2-3-4-10-16-20-50	UK 4/2-3-4-10-20-50	UK 4/2-3-4-10-50
End Plate	NPP 2,5 / APP 2,5-10	NPP 2,5 - 10 / APP 2,5-10	NPP 2,5 / APP 2,5-10	NPP 2,5 - 10 / APP 2,5-10
Small Partition	AD 1		AD 1	
End Bracket	KD 3 - KD 4 - KD 7	KD 3 - KD 4 - KD 7	KD 3 - KD 4 - KD 7	KD 3 - KD 4 - KD 7
Group Marking	GE - GE 2 - ME - ME 3	GE - GE 3 - ME - ME 3	GE - GE 2 - ME - ME 3	GE - GE 2 - ME - ME 3
Comb Connector	TKO 2,5 / 2-3-4-10	TKO 2,5 / 2-3-4-10	TKO 4 / 2-3-4-10	TKO 4 / 2-3-4-10
Marking Tags	DB 10/5 - DG 10/5 - DG 10/5T *ETS + 11.2 Marking Strip	DB 10/5 - DG 10/5 - DG 10/5T *ETS + 11.2 Marking Strip	DB 10/6 - DG 10/6 - DG 10/6T *ETS + 11.2 Marking Strip	DB 10/6 - DG 10/6 - DG 10/6T
Mounting Rails	MR 35	MR 35	MR 35	MR 35

*Please refer to page:40

	AVK 6 Width: 8 mm 304 140	AVK 10 Width: 10 mm 304 150	AVK 16 RD Width: 12 mm 304 240	AVK 25 RD Width: 12 mm 304 290
Electrical Ratings CE (EN 60947-7-1) VDE (IEC 60947-7-1) UL / CSA ATEX	630 V ~ / 41 A / 6 mm ² 630 V ~ / 41 A / 6 mm ² 600 V ~ / 50 A / AWG 26 - 8 630 V ~ / 41 A	630 V ~ / 57 A / 10 mm ² 630 V ~ / 57 A / 10 mm ² 600 V ~ / 65 A / AWG 16 - 6 630 V ~ / 57 A	750 V ~ / 76 A / 16 mm ² 750 V ~ / 76 A / 16 mm ² 600 V ~ / 80 A / AWG 12-4 630 V ~ / 76 A	750 V ~ / 101 A / 25 mm ² 600 V ~ / 100 A / AWG 12-2
Cross Connection	UK 6 / 2-3-4-10	UK 10 / 2-3-4-10	UK 16 / 2-3-4-10	UK 16 / 2-3-4-10
End Plate	NPP 2,5 / APP 2,5-10	NPP 2,5 / APP 2,5-10	NPP / AVK 16 RD APP / AVK 16 RD	NPP / AVK 25 RD
Small Partition	AD 1	AD 1		
End Bracket	KD 3 - KD 4 - KD 7	KD 3 - KD 4 - KD 7	KD 3 - KD 4 - KD 7	KD 3 - KD 4 - KD 7
Group Marking	GE - GE 2 - ME - ME 3	GE - GE 2 - ME - ME 3	GE - GE 3 - ME - ME 3	GE - GE 3 - ME - ME 3
Comb Connector	TKO 6 / 2-3-4-10	TKO 10 / 2-3-4-10		
Marking Tags	DG 10/8 *ETS + 11.2 Marking Strip	DG 10/10 *ETS + 11.2 Marking Strip	DG 10/10 *ETS + 11.2 Marking Strip	DG 10/10 *ETS + 11.2 Marking Strip
Mounting Rails	MR 35	MR 35	MR 32 - 35	MR 32 - 35

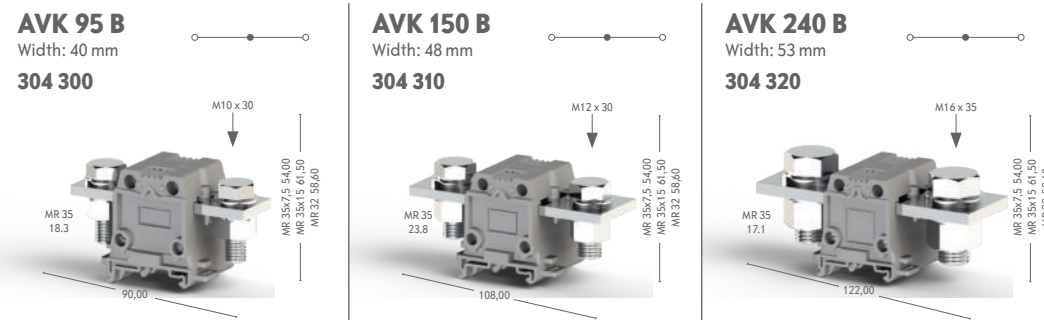
	AVK 35 RDS Width: 16 mm 304 580	AVK 35 IRDS Width: 16 mm 304 590	AVK 50 Width: 20 mm 304 330	AVK 70 RD Width: 22 mm 304 490
Electrical Ratings CE (EN 60947-7-1) VDE (IEC 60947-7-1) UL / CSA ATEX	1000 V ~ / 125 A / 35 mm ² 600 V ~ / 115 A / AWG 10-2	1000 V ~ / 125 A / 35 mm ² 600 V ~ / 115 A / AWG 10-2	1000 V ~ / 150 A / 50 mm ² 1000 V ~ / 150 A / AWG 6-1/0	1000 V ~ / 192 A / 70 mm ² 600 V ~ / 175 A / AWG 6-2/0
Cross Connection	UK 35 RDS / 2-3-4-10	UK 35 RDS / 2-3-4-10	UK 50 / 2-3-4	UK 70 / 2-3-4
End Bracket	KD 3 - KD 4 - KD 7	KD 3 - KD 4 - KD 7	KD 6 - KD 7	KD 6 - KD 7
Group Marking	GE - GE 3 - ME - ME 3	GE - GE 3 - ME - ME 3	GE - ME 3	GE - ME 3
Marking Tags	DG 10/10 *ETS + 11.2 Marking Strip	DG 10/10 *ETS + 11.2 Marking Strip	KOIP SW 11.2 Marking Strip	KOIP SW 11.2 Marking Strip
Mounting Rails	MR 35	MR 35	MR 32 - 35	MR 35

High Current Terminals

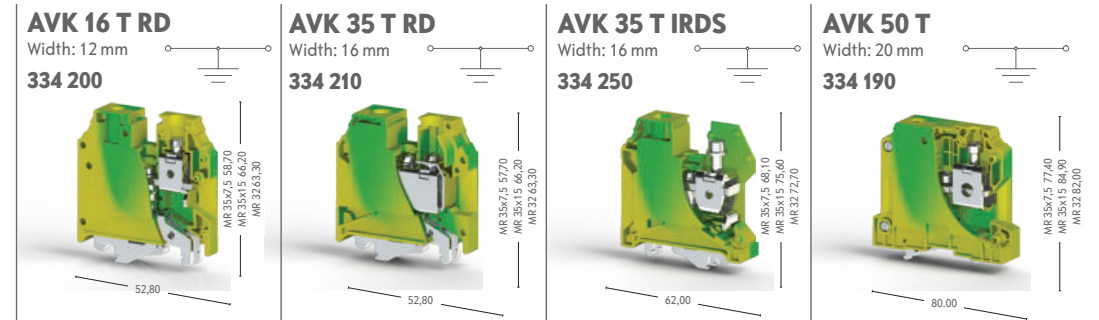
	AVK 95 Width: 25 mm 304 340	AVK 150 Width: 31 mm 304 350	AVK 240 Width: 36 mm 304 360	AVK EK6 Width: 6 mm 304 370
Electrical Ratings CE (EN 60947-7-1) UL / CSA ATEX	1000 V ~ / 232 A / 95 mm ² 600 V ~ / 230 A / AWG 2-4/0 1000 V ~ / 217 A	1000 V ~ / 309 A / 150 mm ² 600 V ~ / 270 A / AWG 2-300 kcmil 1000 V ~ / 281 A	1000 V ~ / 415 A / 240 mm ² 600 V ~ / 370 A / AWG 2/0-500 kcmil 1000 V ~ / 380 A	
Cross Connection	UK 95 / 2-3-4	UK 150 / 2-3-4	UK 240 / 2-3-4	
End Bracket	KD 6	KD 6	KD 6	
Group Marking	GE	GE	GE	
Marking Tags	KOIP SW 11.2 Marking Strip	KOIP SW 11.2 Marking Strip	KOIP SW 11.2 Marking Strip	
Mounting Rails	MR 32-35	MR 32-35	MR 32-35	

*EK6 terminals enables getting extensions from high-current terminals using thin cross-sectioned cables.

*Please refer to page:40

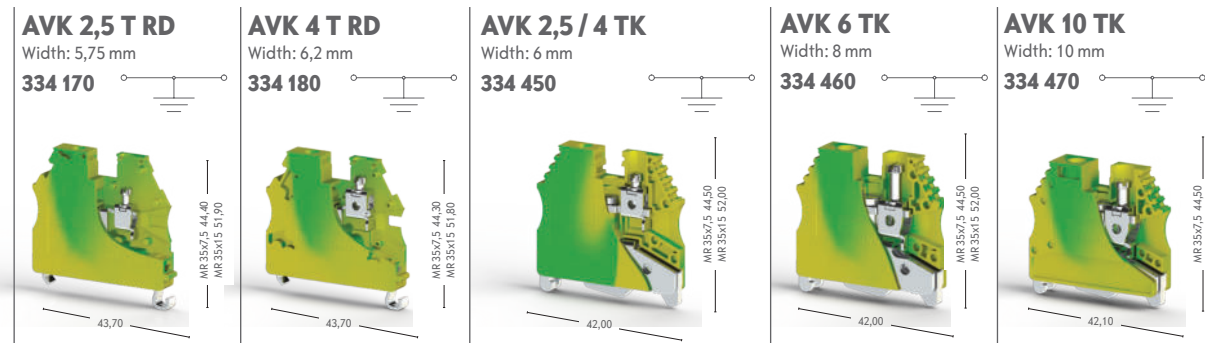


Electrical Ratings	AVK 95 B Width: 40 mm 304 300	AVK 150 B Width: 48 mm 304 310	AVK 240 B Width: 53 mm 304 320
CE (EN 60947-7-1)	1000 V ~ / 232 A / 95 mm ²	1000 V ~ / 309 A / 150 mm ²	1000 V ~ / 415 A / 240 mm ²
Cross Connection	UK 95 / 2-3-4	UK 150 / 2-3-4	UK 240 / 2-3-4
Isolation Cover	KKB 95	KKB 150	KKB 240
End Bracket / Group Marking	KD 6 ME	KD 6 ME	KD 6 ME
Marking Tags	DG 10/10	DG 10/10	DG 10/10
Mounting Rails	MR 32-35	MR 32-35	MR 32-35



Electrical Ratings	AVK 16 T RD Width: 12 mm 334 200	AVK 35 T RD Width: 16 mm 334 210	AVK 35 T IRDS Width: 16 mm 334 250	AVK 50 T Width: 20 mm 334 190
TSE / CE (EN 60947-7-1)	- V / ~ A / 16 mm ²	~ V ~ / A / 35 mm ²	~ V ~ / A / 35 mm ²	~ V ~ / A / 50 mm ²
VDE (IEC 60947-7-1 / IEC 60947-7-2)	- V / ~ A / 16 mm ²	~ V ~ / A / 35 mm ²	~ V ~ / A / 35 mm ²	~ V ~ / A / 50 mm ²
UL / CSA	- V / ~ A / AWG 12-4	~ V ~ / A / AWG 12-2	~ V ~ / A / AWG 10-2	~ V ~ / A / AWG 16-1/0
ATEX	630 V	630 V		800 V
Group Marking	GE - GE 3	GE - GE 2	GE - GE 2	GE
Marking Tags	DG 10/10	DG 10/10	DG 10/10	KOIP SW 11.2 Marking Strip
Mounting Rails	MR 32-35	MR 32-35	MR 32-35	MR 32-35

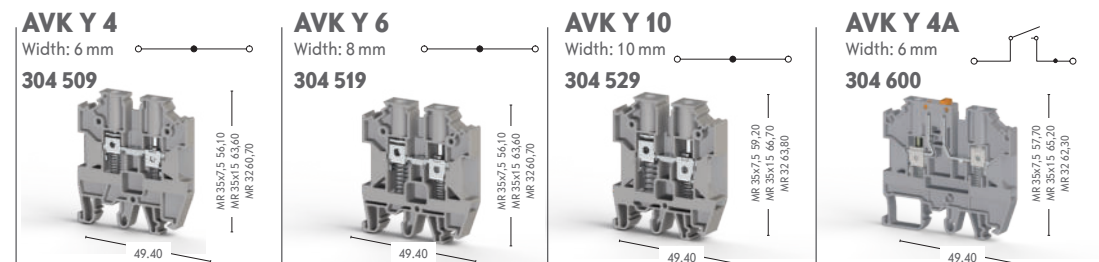
Screw Type Earth Terminals



Electrical Ratings	AVK 2,5 T RD Width: 5,75 mm 334 170	AVK 4 T RD Width: 6,2 mm 334 180	AVK 2,5 / 4 TK Width: 6 mm 334 450	AVK 6 TK Width: 8 mm 334 460	AVK 10 TK Width: 10 mm 334 470
CE (EN 60947-7-1)	- V / ~ A / 2,5 mm ²	- V / ~ A / 4 mm ²	- V / ~ A / 4 mm ²	- V / ~ A / 6 mm ²	- V / ~ A / 10 mm ²
VDE (IEC 60947-7-2)	- V / ~ A / 2,5 mm ²	- V / ~ A / 4 mm ²			
UL / CSA	- V / ~ A / AWG 26-12	- V / ~ A / AWG 26-10	300 V / ~ A / AWG 26-10	300 V / ~ A / AWG 26-8	300 V / ~ A / AWG 16-6
ATEX	630 V	630 V			
Group Marking	GE - GE 2 - ME	GE - GE 2 - ME	GE - GE 2 - ME	GE - GE 3	GE - GE 3
Marking Tags	DG 10/5 - DG 10/5T - DB 10/5	DG 10/6 - DG 10/6T - DB 10/6	DG 10/6 - DG 10/6T - DB 10/5	DG 10/8 - DB 10/5	DG 10/10 - DB 10/5
Mounting Rails	MR 35	MR 35	MR 35	MR 35	MR 35

*Please refer to page:40

Spring Loaded Terminals



Electrical Ratings	AVK Y 4 Width: 6 mm 304 509	AVK Y 6 Width: 8 mm 304 519	AVK Y 10 Width: 10 mm 304 529	AVK Y 4A Width: 6 mm 304 600
CE (EN 60947-7-1 / EN 60947-7-2)	800 V / 32 A / 4 mm ²	800 V / 41 A / 6 mm ²	800 V ~ / 57 A / 10 mm ²	500 V ~ / 32 A / 4 mm ²
Cross Connection	UK 4 / 2 - 3 - 4 - 10 - 20 - 50	UK 6 / 2-3-4-10	UK 10 / 2-3-4-10	UK 4 / 2-3-4-10-20-50
End Plate	NPP AVK Y 4 / Y 6	NPP AVK Y 4 / Y 6	NPP AVK Y 10	NPP / AVK Y 4A
End Bracket	KD 3 - KD 4 - KD 7	KD 3 - KD 4 - KD 7	KD 3 - KD 4 - KD 7	KD 3 - KD 4 - KD 7
Group Marking	GE - GE 2 - ME - ME 3	GE - GE 2 - ME - ME 3	GE - GE 2 - ME - ME 3	
Marking Tags	DB 10/6 - DG 10/6T 11.2 Marking Strip	DG 10/8 11.2 Marking Strip	DG 10/10 11.2 Marking Strip	DG 10/6, DG 10/6T, DB 10/6
Mounting Rails	MR 32 - 35	MR 32 - 35	MR 32 - 35	MR 32 - 35

	PB 2,5 / NM Width: 9 mm 308 029	PB 2,5K / NM Width: 9 mm 308 039	PB 2,5T / NM Width: 10 mm 337 010	PB 6 / NM Width: 11 mm 308 009
Electrical Ratings	CE(EN 60947-7-1 / EN 60947-7-2) 800 V / 24 A / 2,5 mm ²	800 V / 24 A / 2,5 mm ²	- V ~ / - A / AWG 26-14	800 V / 41 A / 6 mm ²
UL / CSA	600 V ~ / 20-15 A / AWG 26-14	600 V ~ / 20-15 A / AWG 26-14		600 V ~ / 45 A / AWG 22-8
Comb Connector	TKO-PB 2.5 / 2-3-4-7-10	TKO-PB 2.5 / 2-3-4-7-10		TKO-PB 6 / 2-3-4-7
End Plate	NPP PB 2.5/NM APP / PB 2.5 NM - 6 NM	NPP PB 2.5/NM APP / PB 2.5 NM - 6 NM		NPP PB 6 NM APP / PB 2.5 NM - 6 NM
End Bracket	KD 3 - KD 4 - KD 7	KD 3 - KD 4 - KD 7	KD 3 - KD 4 - KD 7	KD 3 - KD 4 - KD 7
Marking Tags	DG 10/6 - DG 10/6T	DG 10/6 - DG 10/6T	DG 10/6 - DG 10/6T	DG 10/8
Mounting Rails	MR 32 - 35	MR 32 - 35	MR 32 - 35	MR 32 - 35
Test Plug		TF (Q 2,3)		

	PB 6K / NM Width: 11 mm 308 019	PB 6T / NM Width: 11 mm 337 000	PB 25/ NM (M5) Width: 18 mm 308 049	PB 25/ NM (M6) Width: 18 mm 300 059
Electrical Ratings	CE(EN 60947-7-1 / EN 60947-7-2) 800 V / 41 A / 6 mm ²	~ V ~ / - A / 6 mm ²	800 V / 101 A / 25 mm ²	800 V / 101 A / 25 mm ²
UL / CSA	600 V ~ / 45 A / AWG 22-8	- V ~ / - A / AWG 22-8	600 V ~ / 115-85 A / AWG 26-4	600 V ~ / 115-85 A / AWG 26-4
Comb Connector	TKO-PB 6 / 2-3-4-7-10		TKO-PB 25 / 2	TKO-PB 25 / 2
End Plate	NPP / PB 6/NM APP / PB 2.5 - 6/NM		NPP PB 25/NM APP PB 25/NM	NPP PB 25/NM APP PB 25/NM
End Bracket	KD 3 - KD 4 - KD 7	KD 4 - KD 6 - KD 7	KD 3 - KD 4 - KD 7	KD 3 - KD 4 - KD 7
Marking Tags	DG 10/8	DG 10/8	DG 10/10	DG 10/10
Mounting Rails	MR 32 - 35	MR 32 - 35	MR 32 - 35	MR 32 - 35
Test Plug	TF (Q 4)			

	CPB 6 Width: 9,5 mm 326 809	CPB 6 B Width: 13 mm 326 819
Electrical Ratings	CE(EN 60947-7-1 / EN 60947-7-2) 800 V / 41 A / 6 mm ²	800 V / 57 A / 10 mm ²
Cross Connection	UK 9,5/2 - 3-4-7-10	UK 13/2 - 3-4-7-10
End Plate	NPP CPB 6	NPP CPB 6B
End Bracket	KD 4 - KD 6 - KD 7	KD 4 - KD 6 - KD 7
Group Marking	GE - GE 2 - ME	GE - GE 2 - ME
Marking Tags	DB 5 - DG 6/5	DB 5 - DG 6/5
Mounting Rails	MR 32 - 35	MR 32 - 35

Insulated Terminals Compatible with PB and CPB Series Terminals Blocks

PB Series		
590 012	KYK-401	0,5 - 1,5 mm ²
590 013	KYK-501	0,5 - 1,5 mm ²
590 021	KYK-402	1,5 - 2,5 mm ²
590 022	KYK-502	1,5 - 2,5 mm ²
590 030	KYK-406	4 - 6 mm ²
590 031	KYK-506	4 - 6 mm ²
CPB 6 Series		
591 013	KCK-501	0,5 - 1,5 mm ²
591 022	KCK-402	1,5 - 2,5 mm ²
591 023	KCK-502	1,5 - 2,5 mm ²
591 030	KCK-406	4 - 6 mm ²
591 031	KCK-506	4 - 6 mm ²
CPB 6B Series		
591 013	KCK-501	0,5 - 1,5 mm ²
591 022	KCK-402	1,5 - 2,5 mm ²
591 023	KCK-502	1,5 - 2,5 mm ²
591 030	KCK-406	4 - 6 mm ²
591 031	KCK-506	4 - 6 mm ²

* You can find the ordering data of the terminals which are suitable for PB, CPB 6 and CPB 6B series as above.

Screw Type Multi Input-Output Terminals

	AVK 2,5 CC Width: 5 mm 324 909	AVK 2,5 CCT Width: 5 mm 334 220	AVK 4 CE Width: 6 mm 325 229	AVK 4 CC Width: 6 mm 325 209	AVK 4 CCT Width: 6 mm 334 260	
Electrical Ratings	TSE / CE (EN 60947-7-1) VDE (IEC 60947-7-1 / IEC 60947-7-2) UL / CSA ATEX	750 V ~ / 24 A / 2,5 mm ²	~ V ~ / A / 2,5 mm ²	500 V / 32 A / 4 mm ²	500 V / 32 A / 4 mm ²	~ V ~ / A / 4 mm ²
Cross Connection	UK 2,5/2 - 3-4-10-16-20		UK 4/2 - 3-4-10	UK 4/2 - 3-4-10		
End Plate	NPP / AVK 2,5 CC	NPP / AVK 2,5 CCT	NPP / AVK 4 CE	NPP / AVK 4 CC	NPP / AVK 4 CCT	
End Bracket	KD 3 - KD 4 - KD 7	KD 3 - KD 4 - KD 7	KD 3 - KD 4 - KD 7	KD 3 - KD 4 - KD 7	KD 3 - KD 4 - KD 7	
Group Marking	GE - ME - ME 2 - ME 3	GE - ME - ME 3	GE - ME - ME 3	GE - ME - ME 3	GE - ME - ME 3	
Marking Tags	DB 10/5 - DG 10/5 - DG 10/5T *ETS + 11.2 Marking Strip	DB 10/5 - DG 10/5 - DG 10/5T *ETS + 11.2 Marking Strip	DB 10/6 - DG 10/6 - DG 10/6T 11.2 Marking Strip	DB 10/6 - DG 10/6 - DG 10/6T *ETS + 11.2 Marking Strip	DB 10/6 - DG 10/6 - DG 10/6T *ETS + 11.2 Marking Strip	
Mounting Rails	MR 35	MR 35	MR 35	MR 35	MR 35	

*Please refer to page:40

Screw Type Terminals with Double Cross Connection

	AVK 2,5 R Width: 5 mm 304 409	AVK 2,5 RT Width: 5 mm 334 280	AVK 4 R Width: 6 mm 304 390	AVK 4 RT Width: 6 mm 334 270	
Electrical Ratings	TSE / CE (EN 60947-7-1) VDE (IEC 60947-7-1 / IEC 60947-7-2) UL / CSA ATEX	800 V / 24 A / 2,5 mm ²	~ V ~ / A / 2,5 mm ²	800 V / 32 A / 4 mm ²	~ V ~ / A / 4 mm ²
Cross Connection	UK 2.5/2 - 3 - 4 - 10		UK 4/2 - 3 - 4 - 10		
End Plate	NPP / AVK 2,5 R	NPP / AVK 2,5 RT	NPP / AVK 4 R	NPP / AVK 4 RT	
End Bracket	KD 3 - KD 4 - KD 7	KD 3 - KD 4 - KD 7	KD 3 - KD 4 - KD 7	KD 3 - KD 4 - KD 7	
Group Marking	GE - ME - ME 3	GE - ME - ME 3	GE - ME - ME 3	GE - ME - ME 3	
Marking Tags	DB 10/5 - DG 10/5 - DG 10/5T 11.2 Marking Strip	DB 10/5 - DG 10/5 - DG 10/5T 11.2 Marking Strip	DB 10/6 - DG 10/6 - DG 10/6T 11.2 Marking Strip	DB 10/6 - DG 10/6 - DG 10/6T 11.2 Marking Strip	
Mounting Rails	MR 35	MR 35	MR 35	MR 35	

Screw Type Disconnect Terminals

	AVK 2,5 EA Width: 5 mm 324 949	AVK 2,5 CCA Width: 5 mm 324 939	AVK 4 A Width: 6 mm 304 380	
Electrical Ratings	CE (EN 60947-7-1) VDE (IEC 60947-7-1) UL / CSA ATEX	400 V ~ / 16 A / 2,5 mm ²	400 V ~ / 16 A / 2,5 mm ²	500 V ~ / 20 A / 4 mm ²
End Plate	NPP / AVK 2,5 CC	NPP / AVK 2,5 CC	NPP / AVK 4 R-A	
End Bracket	KD 3 - KD 4 - KD 7	KD 3 - KD 4 - KD 7	KD 3 - KD 4 - KD 7	
Cross Connection			UK 4/2 - 3 - 4 - 10	
Group Marking	GE - ME - ME 2 - ME 3	GE - ME - ME 2 - ME 3	GE - ME - ME 2 - ME 3	
Marking Tags	DB 10/5 - DG 10/5 - DG 10/5T *ETS + 11.2 Marking Strip	DB 10/5 - DG 10/5 - DG 10/5T *ETS + 11.2 Marking Strip	DB 10/6 - DG 10/6T	
Mounting Rails	MR 35	MR 35	MR 35	

Screw Type Disconnect Terminals

	AVK 4 CEA Width: 6 mm 325 239	AVK 4 CCA Width: 6 mm 325 219	WGL1 Voltage Terminal Block Width: 8 mm 375 790
Electrical Ratings	CE (EN 60947-7-1)	500 V ~ / 20 A / 4 mm ²	500 V ~ / 20 A / 4 mm ²
End Plate	NPP / AVK 4 CEA	NPP / AVK 4 CCA	NPP / WGO 1
Cross Connection	UK 4/2 - 3 - 4 - 10	UK 4/2 - 3 - 4 - 10	IZUK 6/2 - 3 - 4 - 6 - 10 WGO UAA (Disconnecting Tool)
Marking Tags	DB 10/6 - DG 10/6 - DG 10/6T *ETS + 11.2 Marking Strip	DB 10/6 - DG 10/6 - DG 10/6T *ETS + 11.2 Marking Strip	TKO 6/2 - 3 - 4 - 10
Mounting Rails	MR 35	MR 35	DG 10/8 *ETS + 11.2 Marking Strip
	MR 35	MR 35	MR 32 - 35

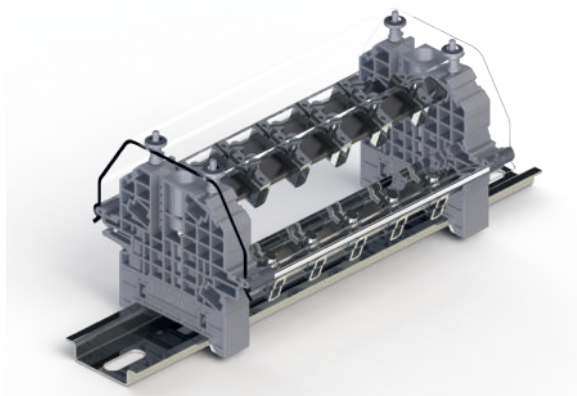
WGO series Test and Disconnect Terminals

	WGO 3 Width: 8 mm9	WGO 2 N Width: 10 mm 375 8..	WGO 2 IR Width: 10 mm 375 909	WGO 4 Width: 8 mm 376 0...	WGO 1 Width: 8 mm9	
Electrical Ratings	CE (EN 60947-7-1) UL / CSA ATEX	400 V ~ / 41 A / 6 mm ² 300 V ~ / 43 A / AWG 20 - 8 250 V ~ / 41 A	400 V ~ / 57 A / 10 mm ²	500 V ~ / 57 A / 10 mm ²	1000 V ~ / 41 A / 6 mm ² 400 V ~ / 41 A / 6 mm ² 300 V ~ / 50 A / AWG 20 - 8 250 V ~ / 41 A	
Ordering data	Without Sockets - Beige / Grey One Socket - Beige / Grey Double Socket - Beige / Grey One Test Socket - Beige / Grey Double Test Socket - Beige / Grey	375 600 - 375 690 375 601 - 375 691 375 604 - 375 694 375 603 - 375 693 375 602 - 375 692	375 800 - 375 890 375 801 - 375 891 375 804 - 375 894 375 803 - 375 893 375 802 - 375 892	375 900 - 375 909	376 090 (Grey) 376 000 (Beige)	370 500 - 370 590 370 501 - 370 591 370 502 - 370 592 370 503 - 370 593
End Plate	NPP / WGO 3	NPP / WGO 2 N	NPP / WGO 2 IR		NPP / WGO 1	
Cross Connection	IZUK 6/2 - 3 - 4 - 6 - 10 WGO UAA (Disconnecting Tool)	IZUK 10/2 - 3 - 4 - 6 - 10	IZUK 10 W/2 - 3 - 4 - 6 - 10	IZUK 6/2 - 3 - 4 - 6 - 10 UK 6/2 - 3 - 4 - 10	IZUK 6/2 - 3 - 4 - 6 - 10 WGO UAA (Disconnecting Tool)	
Comb Connector	TKO 6/2 - 3 - 4 - 10	TKO 10/2 - 3 - 4 - 10	TKO 10/2 - 3 - 4 - 10		TKO 6/2 - 3 - 4 - 10	
Test Plug	TF (Q4)	TF (Q4)	TF (Q4)	TF (Q4)	TF (Q4)	
Marking Tags	DG 10/8 *ETS + 11.2 Marking Strip	DG 10/10	DG 10/10 11.2 Marking Strip	DG 10/8 11.2 Marking Strip	DG 10/8 *ETS + 11.2 Marking Strip	
Mounting Rails	MR 32 - 35	MR 32 - 35	MR 32 - 35	MR 35	MR 32 - 35	

Spring Loaded
Test / Disconnect
Terminals
Ring Type Plug-in
Test / Disconnect
Terminals

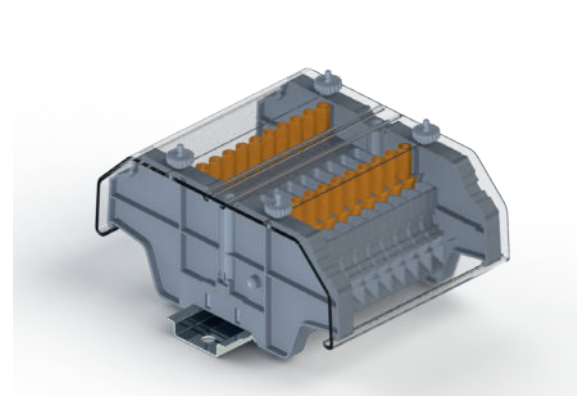
	WGO Y 6 Width: 8 mm 375 919	WGO YD 6 Width: 8 mm 375 929	WGO PB 6/NM Width: 11 mm 308 069	WGO PBD 6/NM Width: 11 mm 308 079
Electrical Ratings	1000 V ~ / 41 A / 6 mm ²	1000 V ~ / 41 A / 6 mm ²	1000 V ~ / 41 A / 6 mm ² 600 V ~ / 43 A / AWG 22 - 8	1000 V ~ / 41 A / 6 mm ² 600 V ~ / 45 A / AWG 22 - 8
End Plate	NPP / WGO Y6	NPP / WGO YD6	NPP / WGO PB 6 APP / WGO PB 6	NPP / WGO PBD 6 APP / WGO PBD 6
End Bracket	KD 4 - KD 7	KD 4 - KD 7	KD 4 - KD 7	KD 4 - KD 7
Comb Connector			TKO / PB 6 / 2 - 3 - 4 - 7 - 10	TKO / PB 6 / 2 - 3 - 4 - 7 - 10
Cross Connection	IZUK 6 / 2 - 3 - 4 - 10 WGO UAA	IZUK 6 / 2 - 3 - 4 - 10 WGO UAA		
Group Marking	GE - GE 2 - ME - ME 3	GE - GE 2 - ME - ME 3	GE - GE 2 - ME - ME 3	GE - GE 2 - ME - ME 3
Marking Tags	DG 10/8 11,2 Marking Strip	DG 10/8 11,2 Marking Strip	DG 10/8	DG 10/8
Mounting Rails	MR 32 - 35	MR 32 - 35	MR 32 - 35	MR 32 - 35
Test Plug	TF (Q4)	TF (Q4)		

Cover for KD 6A



Type	Color	Cat. No.	Qty.
KD 6A	Grey	495 109	50
KD 6A	Beige	495 100	50
Cover	Transparent Cover	498 190	1m

Cover for CB 144



Type	Color	Cat. No.	Qty.
CB 144	Grey	499 459	10
CB 144	Beige	499 450	10
Cover	Transparent Cover	498 270	1m

Sealing Pin for KD 6A



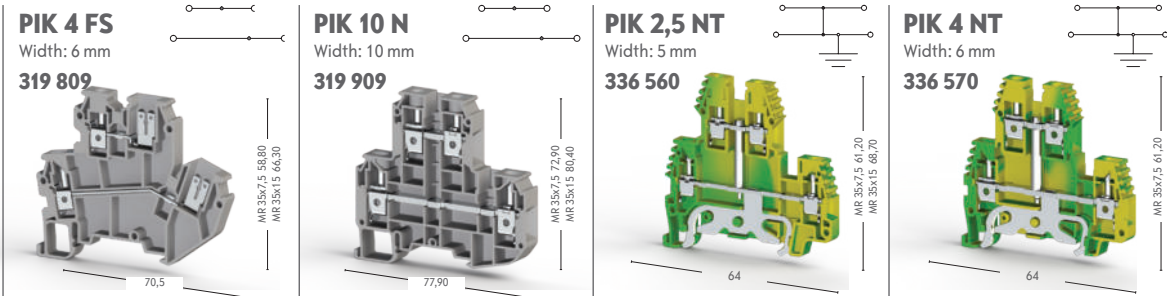
Type	Color	Cat. No.	Qty.
KD 6A	Grey	495 109	50
KD 6A	Beige	495 100	50
KD 6A	Orange Sealing Pin	498 187	100

Screw Type
Double - Deck
Terminals

	PIK 2,5 N Width: 5 mm 317 109	PIK 2,5 NK Width: 5 mm 317 129	PIK 2,5 ND Width: 5 mm 317 219	PIK 2,5 NLD Width: 5 mm9 317 329	PIK 2,5 RD Width: 5 mm 325 249
Electrical Ratings	500 V ~ / 24 A / 2,5 mm ² 300 V ~ / 20 A / AWG 26 - 12 400 V ~ / 21,5 A	500 V ~ / 24 A / 2,5 mm ² 300 V ~ / 20 A / AWG 26 - 12 400 V ~ / 21,5 A	500 V ~ / 0,5 A / 2,5 mm ² 300 V ~ / 20 A / AWG 26 - 12	~ V ~ / 24 A / 2,5 mm ² ~ V ~ / 20 A / AWG 26 - 12 ~ V ~ / 21,5 A	500 V / 24 A / 2,5 mm ²
Ordering Data	Grey Grey Grey Grey			317 329 (24V DC) / 317 319 (24V AC) 317 429 (48V DC) / 317 419 (48V AC) 317 629 (110V DC) / 317 619 (110V AC) 317 729 (220V DC) / 317 719 (220V AC)	
Electrical Ratings			1300 V 0,5 A 1 N 4007		
End Plate	NPP / PIK 2,5 - 4 N	NPP / PIK 2,5 - 4 N	NPP / PIK 2,5 - 4 N	NPP / PIK 2,5 - 4 N	NPP / PIK 2,5 N - 4N
Cross Connection	UK 2,5/2 - 3 - 4 - 10 - 16 - 20	UK 2,5/2 - 3 - 4 - 10 - 16 - 20 Note: Only lower decks can be cross-connected	UK 2,5/2 - 3 - 4 - 10 - 16 - 20 Note: Only lower decks can be cross-connected	UK 2,5/2 - 3 - 4 - 10 - 16 - 20 Note: Only lower decks can be cross-connected	UK 2,5/2 - 3 - 4 - 10
Marking Tags	DB 10/5 - DG 10/5 - DG 10/5T *ETS + 11.2 Marking Strip	DB 10/5 - DG 10/5 - DG 10/5T *ETS + 11.2 Marking Strip	DB 10/5 - DG 10/5 - DG 10/5T *ETS + 11.2 Marking Strip	DB 10/5 - DG 10/5 - DG 10/5T *ETS + 11.2 Marking Strip	DG 10/5 - DG 10/5T - DB 10/5
Mounting Rails	MR 35	MR 35	MR 35	MR 35	MR 35
Electrical Ratings	500 V ~ / 32 A / 4 mm ² 300 V ~ / 30 A / AWG 26 - 10 400 V ~ / 29,5 A	500 V ~ / 32 A / 4 mm ² 300 V ~ / 30 A / AWG 26 - 10 400 V ~ / 29,5 A	500 V ~ / 0,5 A / 4 mm ² 300 V ~ / 30 A / AWG 26 - 10 400 V ~ / 29,5 A	~ V ~ / 24 A / 4 mm ² ~ V ~ / 30 A / AWG 26 - 10 ~ V ~ / 29,5 A	500 V / 32 A / 4 mm ²
Ordering Data	Grey Grey Grey Grey			319 329 (24V DC) / 319 319 (24V AC) 319 429 (48V DC) / 319 419 (48V AC) 319 629 (110V DC) / 319 619 (110V AC) 319 729 (220V DC) / 319 719 (220V AC)	
Electrical Ratings			1300 V 0,5 A 1 N 4007		
End Plate	NPP / PIK 2,5 - 4 N	NPP / PIK 2,5 - 4 N	NPP / PIK 2,5 - 4 N	NPP / PIK 2,5 - 4 N	NPP / PIK 4N
Cross Connection	UK 4/2 - 3 - 4 - 10 - 20 - 50	UK 4/2 - 3 - 4 - 10 - 20 - 50 Note: Only lower decks can be cross-connected	UK 4/2 - 3 - 4 - 10 - 20 - 50 Note: Only lower decks can be cross-connected	UK 4/2 - 3 - 4 - 10 - 20 - 50 Note: Only lower decks can be cross-connected	UK 4/2 - 3 - 4 - 10
Marking Tags	DB 10/6 - DG 10/6 - DG 10/6T *ETS + 11.2 Marking Strip	DB 10/6 - DG 10/6 - DG 10/6T *ETS + 11.2 Marking Strip	DB 10/6 - DG 10/6 - DG 10/6T *ETS + 11.2 Marking Strip	DB 10/6 - DG 10/6 - DG 10/6T *ETS + 11.2 Marking Strip	DB 10/6 - DG 10/6 - DG 10/6T
Mounting Rails	MR 35	MR 35	MR 35	MR 35	MR 35

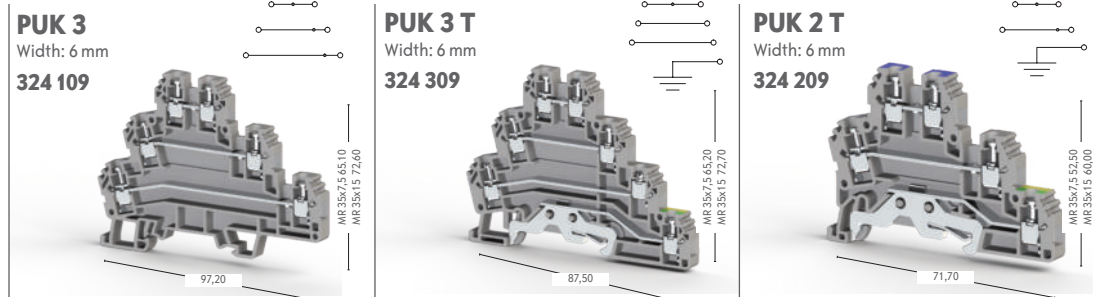
*Please refer to page:40

Screw Type Double - Deck Terminals



Electrical Ratings	PIK 4 FS Width: 6 mm 319 809	PIK 10 N Width: 10 mm 319 909	PIK 2,5 NT Width: 5 mm 336 560	PIK 4 NT Width: 6 mm 336 570
CE (EN 60947-7-1 / 60947-7-2)	400 V ~ / 20 A / 4 mm ²	800 V ~ / 57 A / 10 mm ²	~ V ~ / ~ A / 2,5 mm ²	~ V ~ / ~ A / 4 mm ²
UL / CSA				
ATEX	400 V ~ / 20 A			
End Plate	NPP PIK 4 FS	NPP PIK 10 N	NPP PIK 2,5 - 4N	NPP PIK 2,5 - 4N
End Bracket	KD 3 - KD 4 - KD 7		KD 6 - KD 7	KD 6 - KD 7
Cross Connection	UK 4/2 - 3 - 4 - 10	UK 10/2 - 3 - 4 - 10		
Insulated Terminals	KFD 1288 - 1488 - 1638 - 2488 - 2638 KFD 5638			
Marking Tags	DB 5 - DG 6/5	DB 5 - DG 6/5	DG 6/5 - DB 10/5 - DG 10/5 - DG 10/5T *ETS + 11.2 Marking Strip	DG 6/5 - DB 10/6 - DG 10/6 - DG 10/6T *ETS + 11.2 Marking Strip
Mounting Rails	MR 35	MR 35	MR 35	MR 35

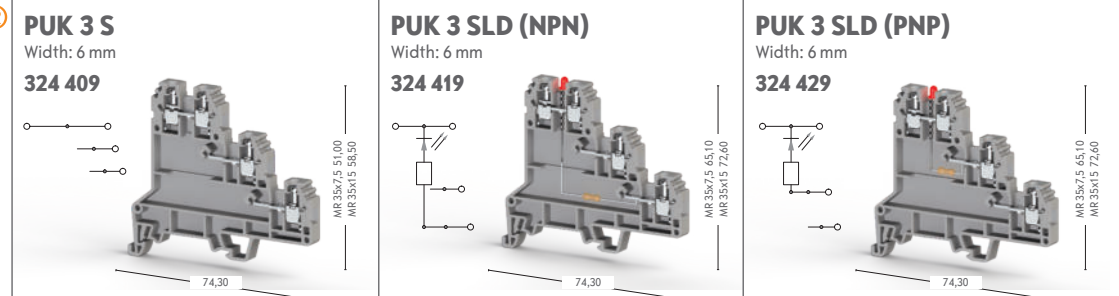
Screw Type Multilevel Terminals



Electrical Ratings	PUK 3 Width: 6 mm 324 109	PUK 3 T Width: 6 mm 324 309	PUK 2 T Width: 6 mm 324 209
CE (EN 60947-7-1 / 60947-7-2)	440 V ~ / 24 A / 2,5 mm ²	440 V ~ / 24 A / 2,5 mm ²	440 V ~ / 24 A / 2,5 mm ²
UL / CSA	300 V ~ / 24 A / AWG 24 - 12	300 V ~ / 24 A / AWG 24 - 12	300 V ~ / 24 A / AWG 24 - 12
ATEX	400 V ~ / 24 A	400 V ~ / 24 A	400 V ~ / 24 A
End Plate	NPP / PUK 3	NPP / PUK 3 T	NPP / PUK 2 T
Cross Connection	UK 2,5/2 - 3 - 4 - 10 - 16 - 20	UK 2,5/2 - 3 - 4 - 10 - 16 - 20 Only upper decks can be cross-connected.	UK 2,5/2 - 3 - 4 - 10 - 16 - 20
Marking Tags	DB 5 - DG 6/5	DB 5 - DG 6/5	DB 5 - DG 6/5
Mounting Rails	MR 35	MR 35	MR 35

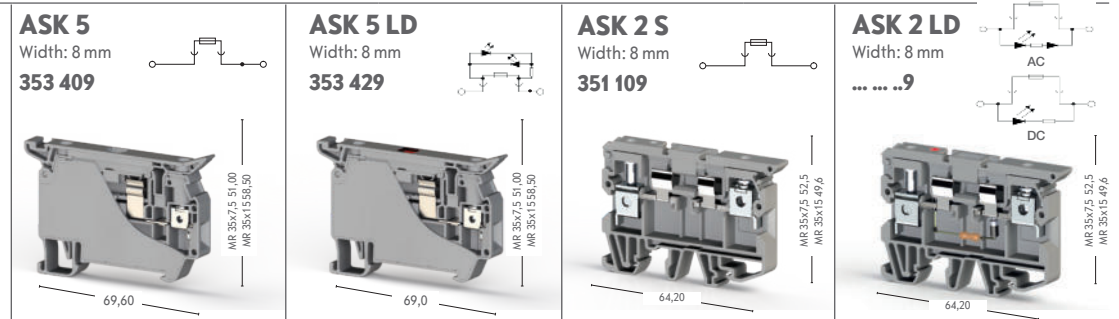
*Please refer to page:40

Screw Type Sensor Terminals

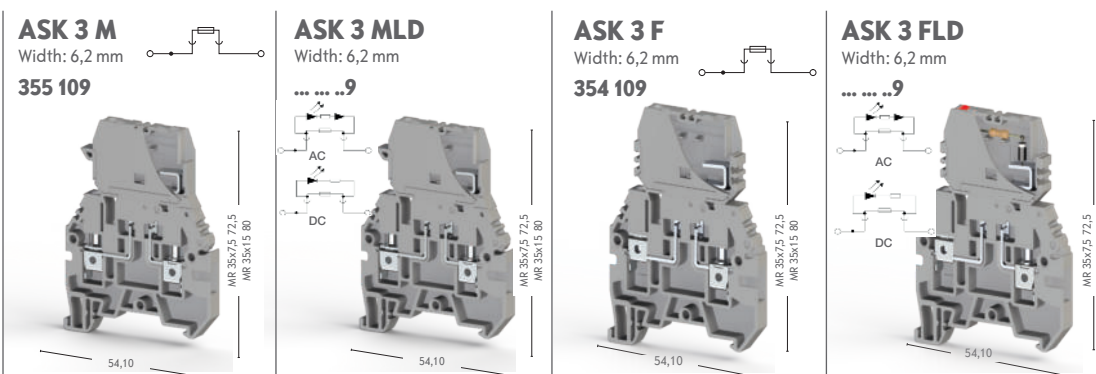


Electrical Ratings	PUK 3 S Width: 6 mm 324 409	PUK 3 SLD (NPN) Width: 6 mm 324 419	PUK 3 SLD (PNP) Width: 6 mm 324 429
CE (EN 60947-7-1)	500 V ~ / 24 A / 2,5 mm ²	24 V ~ / 24 A / 2,5 mm ²	24 V ~ / 24 A / 2,5 mm ²
UL / CSA	300 V ~ / 24 A / AWG 24 - 12	300 V ~ / 24 A / AWG 24 - 12	300 V ~ / 24 A / AWG 24 - 12
End Plate	NPP / PUK 3 S	NPP / PUK 3 S	NPP / PUK 3 S
Cross Connection	UK 2,5/2 - 3 - 4 - 10 - 16 - 20	UK 2,5/2 - 3 - 4 - 10 - 16 - 20	UK 2,5/2 - 3 - 4 - 10 - 16 - 20
Marking Tags	DB 5 - DG 6/5	DB 5 - DG 6/5	DB 5 - DG 6/5
Mounting Rails	MR 35	MR 35	MR 35

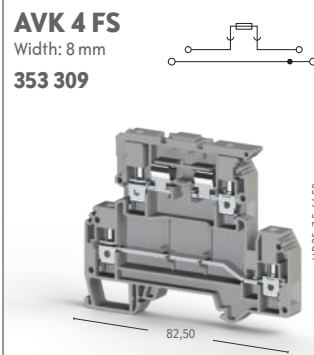
Screw Type Fuse Terminals



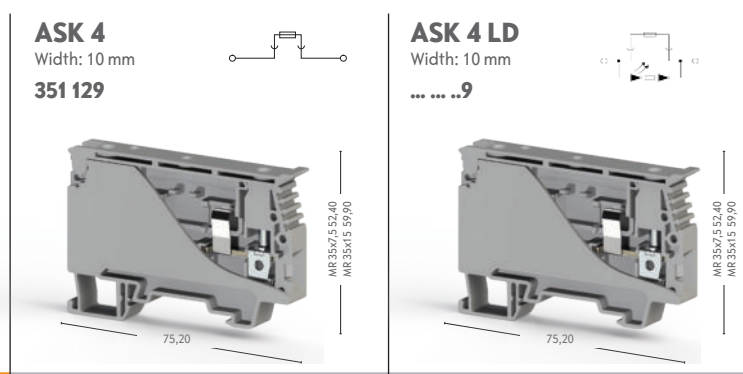
Electrical Ratings	ASK 5 Width: 8 mm 353 409	ASK 5 LD Width: 8 mm 353 429	ASK 2 S Width: 8 mm 351 109	ASK 2 LD Width: 8 mm 9
CE (EN 60947-7-1)	500 V ~ / 10 A / 4 mm ²	24 V / 10 A / 4 mm ²	500 V ~ / 6,3 A / 6 mm ²	24 V ~ / 6,3 A / 6 mm ²
UL / CSA	300 V ~ / 10 A / AWG 26 - 10	24 V ~ / 10 A / AWG 26 - 10	300 V ~ / 6,3 A / AWG 26 - 8	24 V ~ / 6,3 A / AWG 26 - 8
Ordering Data	Grey Grey Grey Grey Grey Grey Grey Grey	353 429 (24V AC/DC) 353 449 (110V AC/DC) 353 439 (220V AC/DC)		351 219 (24V AC) 351 229 (24V DC) 351 319 (48V AC) 351 329 (48V DC) 351 519 (110V AC) 351 529 (110V DC) 351 619 (220V AC) 351 629 (220V DC)
End Plate			NPP / AVK ASK 2	NPP / AVK ASK 2
End Bracket			KD 3 - KD 4 - KD 7	KD 3 - KD 4 - KD 7
Cross Connection	UK 6/2 - 3 - 4 - 10	UK 6/2 - 3 - 4 - 10		
Group Marking	GE - ME - ME 2 - ME 3	GE - ME - ME 2 - ME 3	GE - ME - ME 2 - ME 3	GE - ME - ME 2 - ME 3
Marking Tags	DG 10/8	DG 10/8	DG 6/5 - DB 5	DG 6/5 - DB 5
Mounting Rails	MR 35	MR 35	MR 32 - 35	MR 32 - 35



Electrical Ratings	ASK 3 M Width: 6,2 mm 355 109	ASK 3 MLD Width: 6,2 mm9	ASK 3 F Width: 6,2 mm 354 109	ASK 3 FLD Width: 6,2 mm9
CE (EN 60947-7-1 / 60947-7-3) UL / CSA	500 V ~ / 10 A / 4 mm ² 600 V ~ / 10 A / AWG 26 - 10	24 V ~ / 10 A / 4 mm ² 24 V ~ / 10 A / AWG 26 - 10	500 V ~ / 10 A / 4 mm ² 600 V ~ / 10 A / AWG 26 - 10	24 V ~ / 10 A / 4 mm ² 24 V ~ / 10 A / AWG 26 - 10
Ordering Data	Grey	355 219 (24V AC) 355 229 (24V DC) 355 319 (48V AC) 355 329 (48V DC) 355 519 (110V AC) 355 529 (110V DC) 355 619 (220V AC) 355 629 (220V DC)		354 219 (24V AC) 354 229 (24V DC) 354 319 (48V AC) 354 329 (48V DC) 354 519 (110V AC) 354 529 (110V DC) 354 619 (220V AC) 354 629 (220V DC)
End Plate	NPP / ASK 3	NPP / ASK 3	NPP / ASK 3	NPP / ASK 3
Cross Connection	UK 4/2 - 3 - 4	UK 4/2 - 3 - 4	UK 4/2 - 3 - 4	UK 4/2 - 3 - 4
Marking Tags	DG 6/5 - DG 10/5 - DG 10/6 DB 5 - DB 10/6	DG 6/5 - DG 10/5 - DG 10/6 DB 5 - DB 10/6	DG 6/5 - DG 10/5 - DG 10/6 DB 5 - DB 10/6	DG 6/5 - DG 10/5 - DG 10/6 DB 5 - DB 10/6
Mounting Rails	MR 35	MR 35	MR 35	MR 35

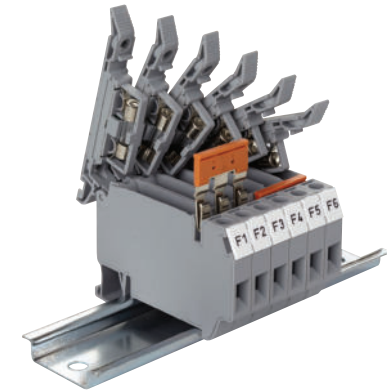


Electrical Ratings	AVK 4 FS Width: 8 mm 353 309
CE (EN 60947-7-1) UL / CSA	500 V ~ / 32 A / 4 mm ² 300 V ~ / 6,3/30 A / AWG 26-10
End Plate	NPP / AVK 4 FS
Cross Connection	UK 6/2 - 3 - 4 - 10
Marking Tags	DB 5 - DG 6/5
Mounting Rails	MR 35



Electrical Ratings	ASK 4 Width: 10 mm 351 129	ASK 4 LD Width: 10 mm9
CE (EN 60947-7-1 / 60947-7-3) UL / CSA	750 V ~ / 6,3 A / 6 mm ² 600 V ~ / 6,3 A / AWG 22 - 8	~ V ~ / 6,3 A / 6 mm ² 24 V ~ / 6,3 A / AWG 22 - 8
Ordering Data	Grey	351 719 (24V AC) 351 729 (24V DC) 351 739 (48V AC) 351 749 (48V DC) 351 759 (110V AC) 351 769 (110V DC) 351 779 (220V AC) 351 789 (220V DC)
Marking Tags	DG 10/8	DG 10/8
Mounting Rails	MR 35	MR 35

Fuse / Fuse Type	Used Terminals
G / 5x20 - 5x25	ASK 2S, ASK 2LD, ASK 3M, ASK 3MLD, ASK 3F, ASK 3FLD, ASK 4FS, ASK 4FLD, ASK 5, ASK 5LD



Screw Connection Fuse Rail Terminals Terminals can be used with glass fuse between 1A...10A. The fuse inside of the terminal is easily mounted and dismantled, and is an ideal solution when there is a necessity to change it even when the power is on in the system. Marking solutions can be provided by Plotter Labeling.

COLOR ORDER NUMBERS										
Color	Beige	Blue	Green	Yellow	Red	Black	White	Orange	Brown	Grey
AVK Series	...9	...1	...2	...3	...4	...5	...6	...7	...8	...0

* Color code is the last digit of the order number

01 Cross Connectors

Cat. No.	Type	Pole
474 122	UK 2,5/2	2
474 123	UK 2,5/3	3
474 124	UK 2,5/4	4
474 129	UK 2,5/10	10
474 210	UK 2,5/50	50
474 132	UK 4/2	2
474 133	UK 4/3	3
474 134	UK 4/4	4
474 139	UK 4/10	10
474 180	UK 4/20	20
474 190	UK 4/50	50
474 142	UK 6/2	2
474 143	UK 6/3	3
474 144	UK 6/4	4
474 149	UK 6/10	10
474 152	UK 10/2	2
474 153	UK 10/3	3
474 154	UK 10/4	4
474 159	UK 10/10	10
474 162	UK 16/2	2
474 163	UK 16/3	3
474 164	UK 16/4	4
474 169	UK 16/10	10
480 212	UK 35/2 RDS	2
480 213	UK 35/3 RDS	3
480 214	UK 35/4 RDS	4
480 219	UK 35/10 RDS	10
476 222	UK 2,5/2	2
476 224	UK 2,5/4	4
476 229	UK 2,5/10	10
474 210	UK 2,5/50	50
476 232	UK 4/2	2
476 233	UK 4/3	3
476 234	UK 4/4	4
476 239	UK 4/10	10
474 190	UK 4/50	50
478 302	UKB 95/2	2
478 303	UKB 95/3	3
478 304	UKB 95/4	4
478 312	UKB 150/2	2
478 313	UKB 150/3	3
478 314	UKB 150/4	4
478 322	UKB 240/2	2
478 323	UKB 240/3	3
478 324	UKB/2404	4
478 332	UK 50/2	2
478 333	UK 50/3	3
478 334	UK 50/4	4
478 372	UK 70/2	2
478 373	UK 70/3	3
478 374	UK 70/4	4
478 342	UK 95/2	2
478 343	UK 95/3	3
478 344	UK 95/4	4
478 352	UK 150/2	2
478 353	UK 150/3	3
478 354	UK 150/4	4
478 362	UK 240/2	2
478 363	UK 240/3	3
478 364	UK 240/4	4
479 012	TKO-PB 2,5/2	2
479 013	TKO-PB 2,5/3	3
479 014	TKO-PB 2,5/4	4
479 017	TKO-PB 2,5/7	7
479 019	TKO-PB 2,5/10	10
479 002	TKO-PB 6/2	2



Cat. No.	Type	Pole
479 003	TKO-PB 6/3	3
479 004	TKO-PB 6/4	4
479 007	TKO-PB 6/7	7
479 009	TKO-PB 6/10	10
479 022	TKO-PB 25/2	2
480 192	UK 9,5/2	2
480 193	UK 9,5/3	3
480 194	UK 9,5/4	4
480 194	UK 9,5/4	4
480 197	UK 9,5/7	7
480 199	UK 9,5/10	10
480 202	UK 13/2	2
480 203	UK 13/3	3
480 204	UK 13/4	4
480 207	UK 13/7	7
480 209	UK 13/10	10
476 302	IZUK 6/2	2
476 303	IZUK 6/3	3
476 304	IZUK 6/4	4
476 306	IZUK 6/6	6
476 309	IZUK 6/10	10
476 242	UK 6/2	2
476 243	UK 6/3	3
476 244	UK 6/4	4
476 249	UK 6/10	10
476 402	IZUK 10/2	2
476 403	IZUK 10/3	3
476 404	IZUK 10/4	4
476 406	IZUK 10/6	6
479 406	IZUK 10/10	10
476 502	IZUK 10W/2	2
476 503	IZUK 10W/3	3
476 504	IZUK 10W/4	4
476 506	IZUK 10W/6	6
476 509	IZUK 10W/10	10
474 122	UK 2,5/2	2
474 123	UK 2,5/3	3
474 124	UK 2,5/4	4
474 129	UK 2,5/10	10
474 132	UK 4/2	2
474 133	UK 4/3	3
474 134	UK 4/4	4
474 139	UK 4/10	10
498 300	WGO-UAA	1
474 180	UK 4/20	20
474 190	UK 4/50	50
474 152	UK 10/2	2
474 153	UK 10/3	3
474 154	UK 10/4	4
474 159	UK 10/10	10
474 122	UK 2,5/2	2
474 123	UK 2,5/3	3
474 124	UK 2,5/4	4
474 129	UK 2,5/10	10
474 142	UK 6/2	2
474 143	UK 6/3	3
474 144	UK 6/4	4
474 149	UK 6/10	10
474 132	UK 4/2	2
474 133	UK 4/3	3
474 134	UK 4/4	4
474 139	UK 4/10	10
474 122	UK 2,5/2	2
474 123	UK 2,5/3	3
474 124	UK 2,5/4	4
474 129	UK 2,5/10	10
474 142	UK 6/2	2
474 143	UK 6/3	3
474 144	UK 6/4	4
474 149	UK 6/10	10
474 132	UK 4/2	2
474 133	UK 4/3	3
474 134	UK 4/4	4
474 139	UK 4/10	10

02 End Plates

444 120	NPP	Grey	AVK 2,5 to AVK 10 / AVK RD	450 100	NPP	Beige	WGO 1 - WGL 1
444 129	NPP	Beige	AVK 2,5 to AVK 10 / AVK RD	450 279	NPP	Grey	WGO Y6 - YD6
444 170	NPP	Grey	AVK 16 RD	450 270	NPP	Beige	WGO Y6 - YD6
444 179	NPP	Beige	AVK 16 RD	451 009	NPP	Grey	WGO PB 6/NM - PBD 6/NM
444 139	NPP	Grey	AVK 2,5 CC - CCA - EA	451 000	NPP	Beige	WGO PB 6/NM - PBD 6/NM
444 130	NPP	Beige	AVK 2,5 CC - CCA - EA	449 019	NPP	Grey	PIK 2,5N - NK - ND - NLD / PIK 4N - NK - ND - NLD
450 250	NPP	Grey	AVK 25 RD	449 010	NPP	Beige	PIK 2,5N - NK - ND - NLD / PIK 4N - NK - ND - NLD
450 259	NPP	Beige	AVK 25 RD	449 029	NPP	Grey	PIK 4FS
450 300	NPP	Grey	AVK Y4 - Y6	449 020	NPP	Beige	PIK 4FS
450 309	NPP	Beige	AVK Y4 - Y6	450 239	NPP	Grey	WGO 2N
450 390	NPP	Grey	AVK Y4 A	450 230	NPP	Beige	WGO 2N
450 399	NPP	Beige	AVK Y4 A	450 249	NPP	Grey	WGO 2 IR
450 260	NPP	Grey	AVK Y10	450 240	NPP	Beige	WGO 2 IR
450 269	NPP	Beige	AVK Y10	450 109	NPP	Grey	WGO 1
451 029	NPP	Grey	PB 2,5/NM - 2,5K/NM	450 100	NPP	Beige	WGO 1
451 020	NPP	Beige	PB 2,5/NM - 2,5K/NM	450 279	NPP	Grey	WGO Y6 - YD6
451 019	NPP	Grey	PB 6/NM - 6K/NM	450 270	NPP	Beige	WGO Y6 - YD6
451 010	NPP	Beige	PB 6/NM - 6K/NM	449 019	NPP	Grey	PIK 2,5N - NK - ND - NLD - RD / PIK 4N - NK - ND - NLD - RD
451 039	NPP	Grey	PB 25/NM (M5 - M6)AVK	446 010	NPP	Beige	PIK 2,5N - NK - ND - NLD - RD / PIK 4N - NK - ND - NLD - RD
451 030	NPP	Beige	PB 25/NM (M5 - M6)	449 029	NPP	Grey	PIK 4FS
450 289	NPP	Grey	CPB 6	449 020	NPP	Beige	PIK 4FS
450 280	NPP	Beige	CPB 6	449 039	NPP	Grey	PIK 10 N
450 299	NPP	Grey	CPB 6 B	449 030	NPP	Beige	PIK 10 N
450 290	NPP	Beige	CPB 6 B	449 012T	NPP	Yellow-Green	PIK 2,5 NT / PIK 4 NT
450 349	NPP	Grey	AVK 4 CE - CC - CEA - CCA	450 139	NPP	Grey	PUK 3
450 340	NPP	Beige	AVK 4 CE - CC - CEA - CCA	450 130	NPP	Beige	PUK 3
444 132T	NPP	Yellow-Green	AVK 2,5 CCT	450 159	NPP	Grey	PUK 3 T
450 342T	NPP	Yellow-Green	AVK 4 CCT	450 150	NPP	Beige	PUK 3 T
450 330	NPP	Grey	AVK 2,5 R - 4 R - 4 A	450 149	NPP	Grey	PUK 2 T
450 339	NPP	Beige	AVK 2,5 R - 4 R - 4 A	450 140	NPP	Beige	PUK 2 T
450 332T	NPP	Yellow-Green	AVK 2,5 RT - 4 RT	450 169	NPP	Grey	PUK 3 S - SLD
450 229	NPP	Grey	WGO 3	450 160	NPP	Beige	PUK 3 S - SLD
450 220	NPP	Beige	WGO 3	450 049	NPP	Grey	ASK 2 S - LD
450 239	NPP	Grey	WGO 2 N	450 040	NPP	Beige	ASK 2 S - LD
450 230	NPP	Beige	WGO 2 N	450 059	NPP	Grey	ASK 3 M - MLD - F - FLD
450 249	NPP	Grey	WGO 2 IR	450 050	NPP	Beige	ASK 3 M - MLD - F - FLD
450 240	NPP	Beige	WGO 2 IR	450 209	NPP	Grey	AVK 4 FS
450 109	NPP	Grey	WGO 1 - WGL 1	450 200	NPP	Beige	AVK 4 FS



AVK 2,5, AVK 10, AVK 4, AVK 6, AVK 25 RD, AVK 35 RDS, AVK 35 IRDS, AVK 16 RD, AVK 2,5 / 4 TK, AVK 6 TK, AVK 10 TK, AVK 2,5 CC, AVK 2,5 T RD, AVK 4 T RD, AVK 2,5 CCT, AVK 4 CC, PIK 2,5 N, PIK 2,5 NT, PIK 4N, PIK 4 NT

*Please refer to page:40

04 Partition Plates

462 170	APP	Grey	AVK 16 RD
462 179	APP	Beige	AVK 16 RD
464 009	APP	Grey	PB 2,5 - 6NM
464 000	APP	Beige	PB 2,5 - 6NM
464 019	APP	Grey	PB 25NM
464 010	APP	Beige	PB 25NM

05 Small Partition Plates

467 919	AD 1	Grey	AVK 2,5 - 10
467 910	AD 1	Beige	AVK 2,5 - 10

06 End Brackets

Cat. No.	Type	Color	
495 040	KD 3	Beige	MR 35
495 049	KD 3	Grey	MR 35
495 050	KD 4	Beige	MR 35
495 059	KD 4	Grey	MR 35
495 090	KD 6	Beige	MR 35
495 099	KD 6	Grey	MR 35
495 100	KD 6A	Beige	MR 35
495 109	KD 6A	Grey	MR 35
495 200	KD 6T	Beige	MR 35
495 209	KD 6T	Grey	MR 35
495 210	KD 7	Beige	MR 35
495 219	KD 7	Grey	MR 35

07 Group Marking

Cat. No.	Type	Color	
496 110	GE	Beige	MR 32 / MR 35
496 119	GE	Grey	MR 32 / MR 35
496 259	GE 2	White	AVK 2,5-10 / RD - 4 RD
496 255	GE 3	White	AVK 16-35 / 16 RD - 35 RD
496 12A	ME 1-1	Transparent	with KD 4
496 13A	ME 1-2	Transparent	with KD 4
496 14A	ME 2-2	Transparent	with KD 4
496 300	ME 3	Transparent	with KD 7

08 Comb Connectors

Cat. No.	Type		Pole
476 262	TKO 2,5/2	AVK 2,5	2
476 263	TKO 2,5/3	AVK 2,5	3
476 264	TKO 2,5/4	AVK 2,5	4
476 269	TKO 2,5/10	AVK 2,5	10
476 272	TKO 4/2	AVK 4	2
476 273	TKO 4/3	AVK 4	3
476 274	TKO 4/4	AVK 4	4
476 279	TKO 4/10	AVK 4	10
476 282	TKO 6/2	AVK 6 - WGL 1	2
476 283	TKO 6/3	AVK 6 - WGL 1	3
476 284	TKO 6/4	AVK 6 - WGL 1	4
476 289	TKO 6/10	AVK 6 - WGL 1	10
476 292	TKO 10/2	AVK 10 / WGO 2IR	2
476 293	TKO 10/3	AVK 10 / WGO 2IR	3
476 294	TKO 10/4	AVK 10 / WGO 2IR	4
476 299	TKO 10/10	AVK 10 / WGO 2IR	10

09 Mounting Rails

500 101	MR 32	32	1 m
500 601	MR 35	35 x 7,5	1 m
500 602	MR 35	35 x 7,5	1 m
500 603	MR 35	35 x 7,5	2 m
500 604	MR 35	35 x 7,5	2 m
500 605	MR 35	35 x 7,5	30 cm
500 606	MR 35	35 x 15	1 m
500 607	MR 35	35 x 15	1 m
500 608	MR 35	35 x 15	2 m
500 609	MR 35	35 x 15	2 m

10 Test Plug-Soc. / Ins. Test Soc.

492 010	ITK 28 (Ø4)	AVK 4 ... 10
492 020	ITK 32 (Ø4)	AVK 16
490 010	TSK 1 (Ø2)	AVK 2,5
490 030	TSK 3 (Ø2,3)	AVK 2,5
490 040	TSK 4 (Ø2,3)	AVK 4 ... 10
490 070	TSK 7 (Ø4)	AVK 4 ... 10
490 080	TSK 8 (Ø4)	AVK 16
490 090	TSK 9 (Ø4)	AVK 35
493 020	TF (Ø2)	AVK 2,5
493 023	TF (Ø2,3)	AVK 2,5 - 4 - 6 - 10
493 040	TF (Ø4)	AVK 4 - 6 - 10 - 35

11 Isolation Covers

466 100	KKB 95	AVK 95 B
466 110	KKB 150	AVK 150 B
466 120	KKB 240	AVK 240 B

12 Labeling

505 310	DG 10/5
505 380	DG 10/5 T
505 320	DG 10/6
505 390	DG 10/6 T
505 330	DG 6/5
505 410	DG 10/8
505 430	DG 10/10
503 000	DB 4
505 850	DB 5
505 910	DB 10/5
505 915	DB 10/6
505 920	DB 10/6,5

13 Warning Label

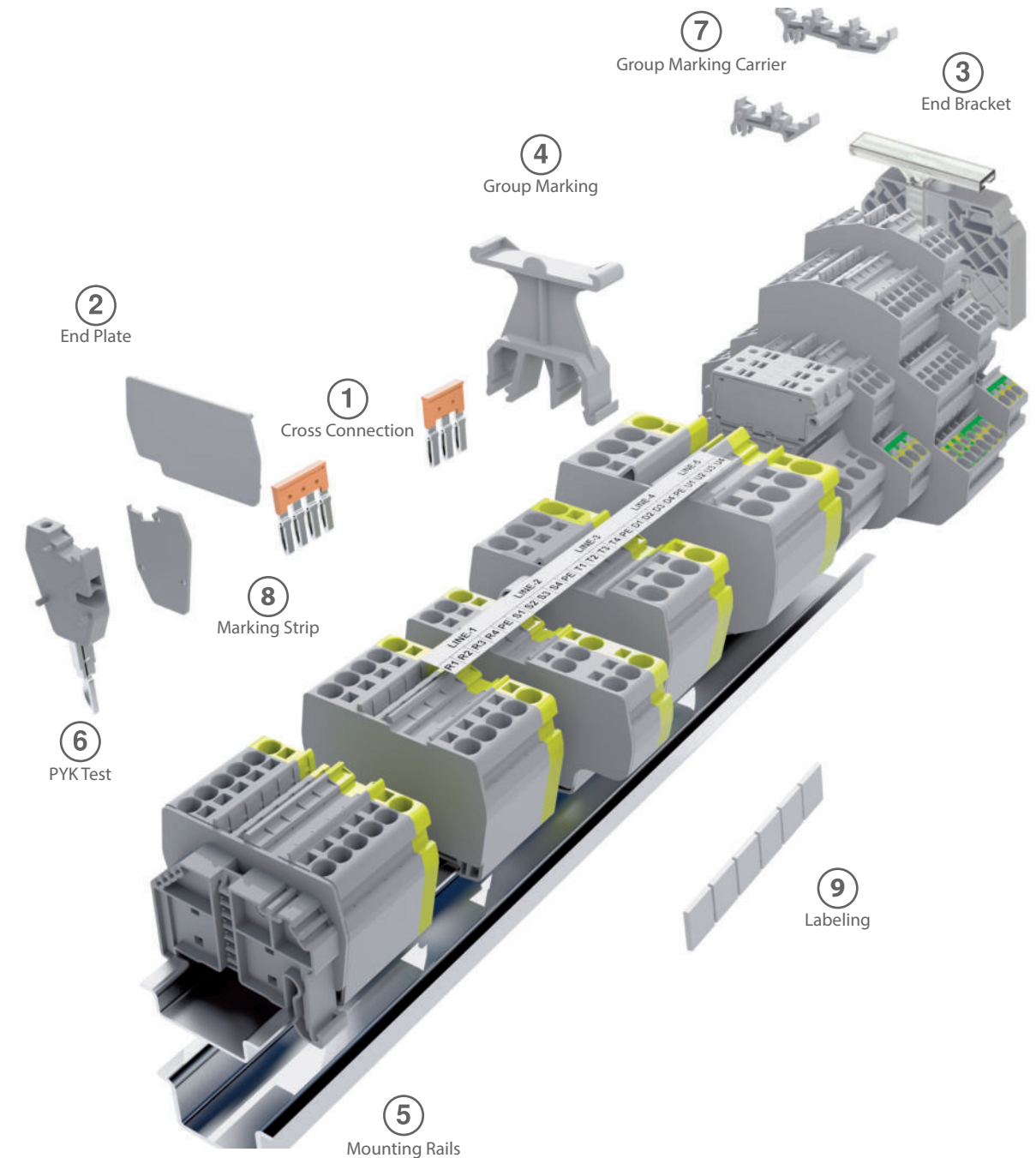
498 130	IP 2S	AVK 2,5 - 4 - 6 - 10 AVK 2,5 RD - 4 RD AVK 2,5 T RD - 4 T RD
498 140	IP 2	AVK 2,5 - 4 - 6 - 10 AVK 2,5 RD - 4 RD AVK 2,5 T RD - 4 T RD
498 143	IP 3S	AVK 16 - 16 RD - 35 RD AVK 35 T RD
498 145	IP 2	AVK 16 - 16 RD - 35 RD AVK 35 T RD
498 240	IP 5	AVK 50 - 70 RD AVK 95 - 150 - 240
498 250	IP 5S	AVK 50 - 70 RD AVK 95 - 150 - 240

PYK - PUSH-IN TERMINAL BLOCKS

Catch the technology with PYK series terminal blocks. **PYK** is the newest technology in the spring clamp connection type; it provides users with fast and secure connection. Cable is connected to the terminal just by pushing-in, without the need to use a screwdriver. PYK is suitable for applications with or without end-sleeves. All you need to do is to push the cable into the cable hole to make the connection. If needed, cable can be released easily by using a screwdriver.

PYK series has a faster and easier montage advantage compared to AVK and YBK series. Cross connection for PYK is the same standard push-in type cross connectors used for YBK and AVK RD series. By this means user has the flexibility in using the cross connections.

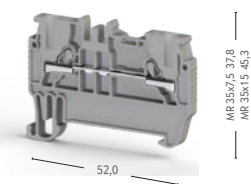
Marking tags used for PYK series can be the standard labels and the outputs of thermal printer or plotter machines as well. User can design, group or code the marking tags at his/her will by using thermal printers or plotters.



PYK 1,5 M

Width: 4,2 mm

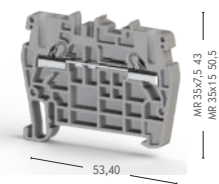
307 019



PYK 2,5

Width: 5 mm

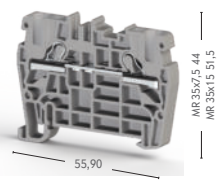
307 109



PYK 4

Width: 6 mm

307 119

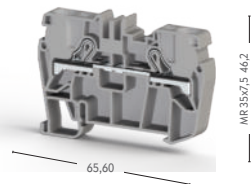


Electrical Ratings	800 V / 17,5 A / 1,5 mm ²	800 V ~ / 24 A / 2,5 mm ² 600 V ~ / 20 A / AWG 22-12 800 V ~ / 24 A / 2,5 mm ² 800 V ~ / 24 A	800 V ~ / 32 A / 4 mm ² 600 V ~ / 30 A / AWG 22-10 800 V ~ / 32 A / 4 mm ² 800 V ~ / 32 A
Cross Connection	UK 1,5 / 2-3-4-10	UK 2,5/2 - 3 - 4 - 10 - 16 - 20	UK 4 / 2 - 3 - 4 - 10
End Plate	NPP / PYK 1,5 M APP / PYK 1,5-2,5-4	NPP / PYK 2,5 APP / PYK 1,5-2,5-4	NPP / PYK 4 APP / PYK 4
Test PYK		PYK Test	PYK Test PYK Test - A
End Bracket	KD 3 - KD 4 - KD 7	KD 3 - KD 4 - KD 7	KD 3 - KD 4 - KD 7
Group Marking	GE - ME - ME 3	GE - ME - ME 3	GE - ME - ME 3
Marking Tags	DB 6/4 11.2 Marking Strip	DB 10/5 - DG 10/5 - DG 10/5T 11.2 Marking Strip	DB 10/6 - DG 10/6 - DG 10/6T 11.2 Marking Strip
Mounting Rails	MR 35	MR 35	MR 35

PYK 6

Width: 8 mm

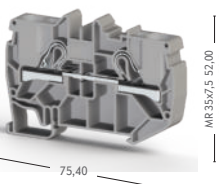
307 129



PYK 10

Width: 10 mm

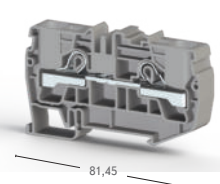
307 139



PYK 16

Width: 12 mm

307 659

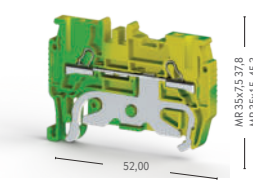


Electrical Ratings	800 V ~ / 41 A / 6 mm ² 600 V ~ / 45 A / AWG 20-8	800 V ~ / 57 A / 10 mm ² 600 V ~ / 55 A / AWG 20-6	1000 V ~ / 76 A / 16 mm ²
Cross Connection	UK 6 / 2-3-4-10	UK 10 / 2-3-4-10	CS 16 / 2-3-4-5
End Plate	NPP / PYK 6 APP / PYK 6	NPP / PYK 10 APP / PYK 10	NPP / PYK 16
End Bracket	KD 3 - KD 4 - KD 7	KD 3 - KD 4 - KD 7	KD 3 - KD 4 - KD 7
Group Marking	GE - ME - ME 3	GE - ME - ME 3	GE - ME - ME 3
Marking Tags	DG 10/8 11.2 Marking Strip	DG 10/10 11.2 Marking Strip	DG 10/10 11.2 Marking Strip
Mounting Rails	MR 35	MR 35	MR 35

PYK 1,5 MT

Width: 4,2 mm

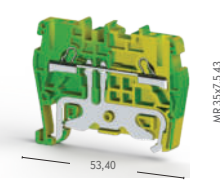
336 440



PYK 2,5 T

Width: 5 mm

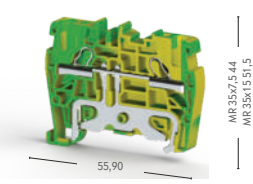
336 500



PYK 4 T

Width: 6 mm

336 510

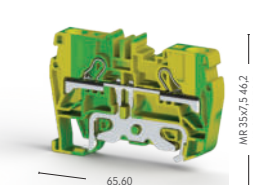


Electrical Ratings	~ V ~ / ~ A / 1,5 mm ²	~ V ~ / ~ A / 2,5 mm ² ~ V ~ / ~ A / AWG 22-12 ~ V ~ / ~ A / 2,5 mm ² 800 V	~ V ~ / ~ A / 4 mm ² ~ V ~ / ~ A / AWG 22-10 ~ V ~ / ~ A / 4 mm ² 800 V
End Plate	NPP / PYK 1,5 MT	NPP / PYK 2,5 T	NPP / PYK 4 T
End Bracket	KD 3 - KD 4 - KD 7	KD 3 - KD 4 - KD 7	KD 3 - KD 4 - KD 7
Group Marking	GE - ME - ME 3	GE - ME - ME 3	GE - ME - ME 3
Marking Tags	DB 6/4 11.2 Marking Strip	DB 10/5 - DG 10/5 - DG 10/5T 11.2 Marking Strip	DB 10/6 - DG 10/6 - DG 10/6T 11.2 Marking Strip
Mounting Rails	MR 35	MR 35	MR 35

PYK 6 T

Width: 8 mm

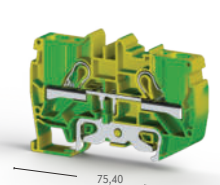
336 520



PYK 10 T

Width: 10 mm

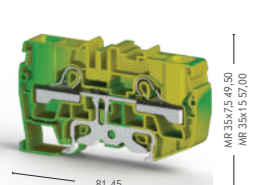
336 530



PYK 16 T

Width: 12 mm

336 640



Electrical Ratings	~ V ~ / ~ A / 6 mm ² ~ V ~ / ~ A / AWG 20-8	~ V ~ / ~ A / 10 mm ² 600 V ~ / ~ A / AWG 20-6	~ V ~ / ~ A / 16 mm ²
End Plate	NPP / PYK 6 T	NPP / PYK 10 T	NPP / PYK 16 T
End Bracket	KD 3 - KD 4 - KD 7	KD 3 - KD 4 - KD 7	KD 3 - KD 4 - KD 7
Group Marking	GE - ME - ME 3	GE - ME - ME 3	GE - ME - ME 3
Marking Tags	DG 10/8 11.2 Marking Strip	DG 10/10 11.2 Marking Strip	DG 10/10 11.2 Marking Strip
Mounting Rails	MR 35	MR 35	MR 35

Multi Input / Output Practical Spring Clamp Terminals

	PYK 1,5 ME Width: 4,2 mm 307 039	PYK 1,5 MET Width: 4,2 mm 336 460	PYK 1,5 MC Width: 4,2 mm 307 029	PYK 1,5 MCT Width: 4,2 mm 336 450
Electrical Ratings CE (EN 60947-7-1) UL / CSA	800 V / 17,5 A / 1,5 mm ²	~ V / ~ A / 1,5 mm ²	800 V / 17,5 A / 1,5 mm ²	~ V / ~ A / 1,5 mm ²
Cross Connection	UK 1,5 / 2-3-4-10		UK 1,5 / 2-3-4-10	
End Plate	NPP / PYK 1,5 ME	NPP / PYK 1,5 MET	NPP / PYK 1,5 MC	NPP / PYK 1,5 MCT
End Bracket	KD 3 - KD 4 - KD 7	KD 3 - KD 4 - KD 7	KD 3 - KD 4 - KD 7	KD 3 - KD 4 - KD 7
Group Marking	GE - ME - ME 3	GE - ME - ME 3	GE - ME - ME 3	GE - ME - ME 3
Marking Tags	DB 6/4 11,2 Marking Strip	DB 6/4 11,2 Marking Strip	DB 6/4 11,2 Marking Strip	DB 6/4 11,2 Marking Strip
Mounting Rails	MR 35	MR 35	MR 35	MR 35

PYK Series One Input - Two Output

Two Input - Two Output Terminals

	PYK 2,5 E Width: 5 mm 307 439	PYK 2,5 ET Width: 5 mm 336 550	PYK 2,5 C Width: 5 mm 307 389	PYK 2,5 CT Width: 5 mm 336 540
Electrical Ratings CE (EN 60947-7-1) UL / CSA	800 V / 24 A / 2,5 mm ² 600 V / 20 A / AWG 22-12	~ V / ~ A / 2,5 mm ² ~ V / ~ A / AWG 22-12	800 V / 24 A / 2,5 mm ² 600 V / 20 A / AWG 22-12	~ V / ~ A / 2,5 mm ² ~ V / ~ A / AWG 22-12
Cross Connection	UK 2,5/2 - 3 - 4 - 10 - 16 - 20		UK 2,5/2 - 3 - 4 - 10 - 16 - 20	
End Plate	NPP / PYK 2,5 E	NPP / PYK 2,5 ET	NPP / PYK 2,5 C	NPP / PYK 2,5 CT
Test PYK	PYK Test		PYK Test	
End Bracket	KD 3 - KD 4 - KD 7	KD 3 - KD 4 - KD 7	KD 3 - KD 4 - KD 7	KD 3 - KD 4 - KD 7
Group Marking	GE - ME - ME 3	GE - ME - ME 3	GE - ME - ME 3	GE - ME - ME 3
Marking Tags	DB 10/5 - DG 10/5 - DG 10/5T 11.2 Marking Strip	DB 10/5 - DG 10/5 - DG 10/5T 11.2 Marking Strip	DB 10/5 - DG 10/5 - DG 10/5T 11.2 Marking Strip	DB 10/5 - DG 10/5 - DG 10/5T 11.2 Marking Strip
Mounting Rails	MR 35	MR 35	MR 35	MR 35

Multi Input / Output Practical Spring Clamp Terminals

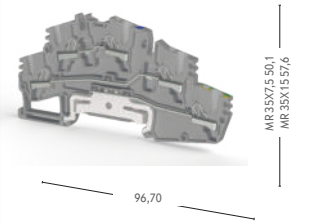
	PYK 4 E Width: 6 mm 307 229	PYK 4 ET Width: 6 mm 336 600
Electrical Ratings CE (EN 60947-7-1 / 60947-7-2) UL / CSA ATEX	800 V / 32 A / 4 mm ² 600 V / 30 A / AWG 22-12 800 V / 30 A	~ V / ~ A / 4 mm ²
Cross Connection	UK 4 / 2 - 3 - 4 - 10	
End Plate	NPP / PYK 4 E	NPP / PYK 4 ET
Test PYK	PYK Test PYK Test A	
End Bracket	KD 3 - KD 4 - KD 7	KD 3 - KD 4 - KD 7
Group Marking	GE - ME - ME 3	ME 3
Group Marking Carrier		
Marking Tags	DB 10/6 - DG 10/6 - DG 10/6T 11.2 Marking Strip	DB 10/6 - DG 10/6 - DG 10/6T 11.2 Marking Strip
Mounting Rails	MR 35	MR 35

Practical Spring Clamp Mini Terminals

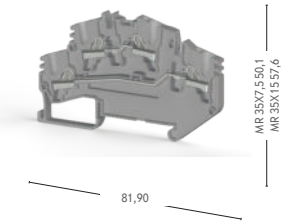
	PYKMR 2,5 Width: 5 mm 307 399	PYKMR 2,5 Width: 5 mm 307 499	PYKMR 2,5 T Width: 5 mm 336 430
Electrical Ratings CE (EN 60947-7-1 / 60947-7-2)	800 V / 24 A / 2,5 mm ² 600 V / 20 A / AWG 22-12	800 V / 24 A / 2,5 mm ²	~ V / ~ A / 2,5 mm ² ~ V / ~ A / AWG 22-12
End Plate	NPP1 / PYKMR 2,5 NPP2 / PYKMR 2,5	NPP1 / PYKMR 2,5 NPP2 / PYKMR 2,5	NPP1 / PYKMR 2,5 T NPP2 / PYKMR 2,5 T
End Bracket	KD 5	KD 3 - KD 4 - KD 7	KD 5
Group Marking	GE - GE 2 - ME	GE - GE 2 - ME - ME 3	GE - GE 2 - ME
Marking Tags	DB 5 - DG 6/5 11.2 Marking Strip	DB 5 - DG 6/5 11.2 Marking Strip	DB 5 - DG 6/5 11.2 Marking Strip
Mounting Rails	MR 15	MR 35	MR 15

Double Deck
Practical
Spring Clamp
Terminals

PYK 2,5 - M2 FT
Width: 5 mm
307 709



PYK 2,5 - M2F
Width: 5 mm
307 699



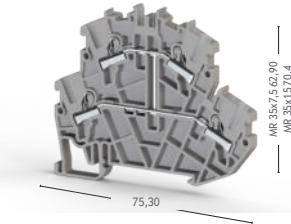
Electrical Ratings	CE (EN 60947-7-1) CE (EN 60947-7-2)	250 V ~ / 24 A / 2,5 mm ²	250 V ~ / 24 A / 2,5 mm ²
Cross Connection		UK 2,5/2 - 3 - 4 - 10 - 16 - 20	UK 2,5/2 - 3 - 4 - 10 - 16 - 20
End Plate		NPP / PYK 2,5 - M2FT	NPP / PYK 2,5 - MF
End Bracket		KD 3 - KD 4 - KD 7	KD 3 - KD 4 - KD 7
Marking Tags		DB 10/5 - DG 10/5 - DG 10/5T 11.2 Marking Strip	DG 6/5 - DB 5 11.2 Marking Strip
Mounting Rails		MR 35	MR 35

Double Deck
Practical
Spring Clamp
Terminals

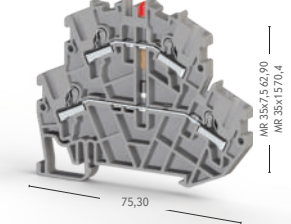
PYK 2,5 - 2 F
Width: 5 mm
307 179



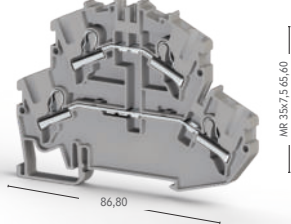
PYK 2,5 - 2 FK
Width: 5 mm
307 239



PYK 2,5 - 2 FLD
Width: 5 mm
307 349



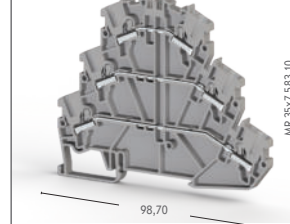
PYK 4 - 2 FN
Width: 6 mm
307 579



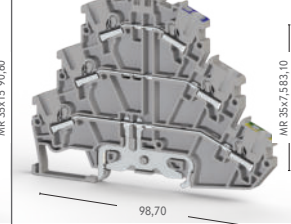
Electrical Ratings	CE (EN 60947-7-1) UL / CSA VDE ATEX	500 V ~ / 24 A / 2,5 mm ² 300 V ~ / 20 A / AWG 22 - 12 500 V ~ / 21 A	500 V ~ / 24 A / 2,5 mm ² 300 V ~ / 20 A / AWG 22 - 12 500 V ~ / 21 A	24 V ~ / 24 A / 2,5 mm ²	500 V ~ / 32 A / 4 mm ²
Cross Connection		UK 2,5/2 - 3 - 4 - 10 - 16 - 20	UK 2,5/2 - 3 - 4 - 10 - 16 - 20	UK 2,5/2 - 3 - 4 - 10 - 16 - 20	UK 4/2 - 3 - 4 - 10
End Plate		NPP / PYK 2,5 - 2 F	NPP / PYK 2,5 - 2 FK	NPP / PYK 2,5 - 2 FLD	NPP / PYK 4 - 2 F
End Bracket		KD 3 - KD 4 - KD 7	KD 3 - KD 4 - KD 7	KD 3 - KD 4 - KD 7	KD 3 - KD 4 - KD 7
Group Marking		GE - ME - ME 3	GE - ME - ME 3	GE - ME - ME 3	GE - ME - ME 3
Group Marking Carrier		ETS 2 PYK 2,5	ETS 2 PYK 2,5	ETS 2 PYK 2,5	ETS 2 PYK 4
Marking Tags		DB 10/5 - DG 10/5 - DG 10/5T 11.2 Marking Strip	DB 10/5 - DG 10/5 - DG 10/5T 11.2 Marking Strip	DB 10/5 - DG 10/5 - DG 10/5T 11.2 Marking Strip	DB 10/6 - DG 10/6 - DG 10/6T 11.2 Marking Strip
Mounting Rails		MR 35	MR 35	MR 35	MR 35

Multilevel
Practical Spring
Clamp

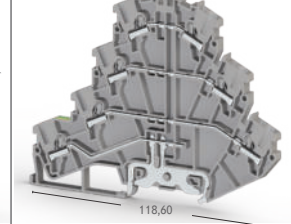
PYK 2,5 - 3 F
Width: 5 mm
307 199



PYK 2,5 - 2 FT
Width: 5 mm
307 189



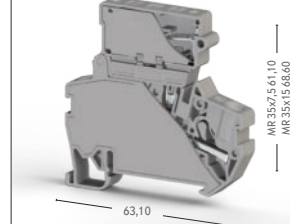
PYK 2,5 - 3 FT
Width: 5 mm
307 209



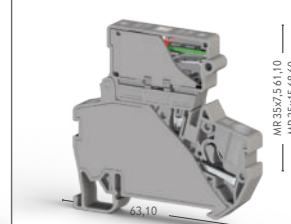
Electrical Ratings	CE (EN 60947-7-1 / 60947-7-2) UL / CSA ATEX	500 V ~ / 24 A / 2,5 mm ² 300 V ~ / 20 A / AWG 22-12 500 V ~ / 20,5 A	500 V ~ / 24 A / 2,5 mm ² 300 V ~ / 20 A / AWG 22-12 500 V ~ / 21 A	500 V ~ / 24 A / 2,5 mm ² 300 V ~ / 20 A / AWG 22-12 400 V ~ / 20,5 A
Cross Connection		UK 2,5/2 - 3 - 4 - 10 - 16 - 20	UK 2,5/2 - 3 - 4 - 10 - 16 - 20	UK 2,5/2 - 3 - 4 - 10 - 16 - 20
End Plate		NPP / PYK 2,5 - 2FT	NPP / PYK 2,5 - 2 FT	NPP / PYK 2,5 - 3 FT
Test PYK		PYK Test	PYK Test	PYK Test
End Bracket		KD 3 - KD 4 - KD 7	KD 3 - KD 4 - KD 7	KD 3 - KD 4 - KD 7
Group Marking		GE - ME - ME 3	GE - ME - ME 3	GE - ME - ME 3
Group Marking Carrier		ETS 3 PYK 2,5	ETS 3 PYK 2,5	ETS 3 PYK 2,5
Marking Tags		DB 10/5 - DG 10/5 - DG 10/5T 11.2 Marking Strip	DB 10/5 - DG 10/5 - DG 10/5T 11.2 Marking Strip	DB 10/5 - DG 10/5 - DG 10/5T 11.2 Marking Strip
Mounting Rails		MR 35	MR 35	MR 35

Practical Spring
Clamp Fuse
Terminals

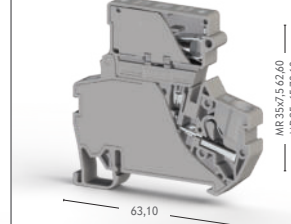
PYK 4 S
Width: 8 mm
307 249



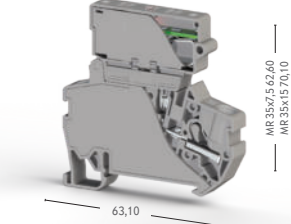
PYK 4 SLD
Width: 8 mm
307 259



PYK 4 I
Width: 8 mm
307 319



PYK 4 ILD
Width: 8 mm
307 329



Electrical Ratings	CE (EN 60947-7-3)	500 V ~ / 10 A / 4 mm ² 300 V ~ / 10 A / AWG 22-10	24 V ~ / 10 A / 4 mm ² 24 V ~ / 10 A / AWG 22-10	500 V ~ / 10 A / 4 mm ² 300 V ~ / 10 A / AWG 22-10	24 V ~ / 10 A / 4 mm ² 24 V ~ / 10 A / AWG 22-10
Ordering Data		307 249 (5x20) 307 240 (5x20) 307 289 (5x25) 307 280 (5x25)	307 259 (24V DC) 307 269 (220V AC) 307 299 (24V DC) 307 309 (220V AC)		307 329 (24V DC) 307 339 (220V AC)
Cross Connection		UK 6 / 2-3-4-10	UK 6 / 2-3-4-10	UK 6 / 2-3-4-10	UK 6 / 2-3-4-10
End Bracket		KD 3 - KD 4 - KD 7	KD 3 - KD 4 - KD 7	KD 3 - KD 4 - KD 7	KD 3 - KD 4 - KD 7
Fuse / Fuse Type		G/5x20-5x25	G/5x20-5x25	G/6,35x31,75	G/6,35x31,75
Group Marking		GE - ME - ME 3	GE - ME - ME 3	GE - ME - ME 3	GE - ME - ME 3
Marking Tags		DB 5 - DG 6/5 - DG 10/8	DB 5 - DG 6/5 - DG 10/8	DB 5 - DG 6/5 - DG 10/8	DB 5 - DG 6/5 - DG 10/8
Mounting Rails		MR 35	MR 35	MR 35	MR 35

Klemsan®

Practical Spring Clamp Disconnect Terminals

	PYK 2,5 A Width: 5 mm 307 169	PYK 2,5 CCA Width: 5 mm 307 219	PYK 2,5 EA Width: 5 mm 307 459
Electrical Ratings CE (EN 60947-7-3)	400 V ~ / 20 A / 2,5 mm ² 300 V ~ / 16 A / AWG 22-12	400 V ~ / 16 A / 2,5 mm ² 300 V ~ / 10 A / AWG 22-12	400 V ~ / 16 A / 2,5 mm ²
Cross Connection	UK 2,5/2 - 3 - 4 - 10 - 16 - 20	UK 2,5/2 - 3 - 4 - 10 - 16 - 20	UK 2,5/2 - 3 - 4 - 10 - 16 - 20
End Plate	NPP / PYK 2,5 A	NPP / PYK 2,5 CCA	NPP / PYK 2,5 EA
Test PYK	PYK Test	PYK Test	PYK Test
End Bracket	KD 3 - KD 4 - KD 7	KD 3 - KD 4 - KD 7	KD 3 - KD 4 - KD 7
Group Marking	ME - ME 3	ME - ME 3	ME - ME 3
Marking Tags	DB 10/5 - DG 10/5 - DG 10/5T 11.2 Marking Strip	DB 10/5 - DG 10/5 - DG 10/5T 11.2 Marking Strip	DB 10/5 - DG 10/5 - DG 10/5T 11.2 Marking Strip
Mounting Rails	MR 35	MR 35	MR 35

Spring Type Test & Disconnect Terminals

	WGO 5 Width: 8 mm 376 190	WGO D5 Width: 8 mm 376 290
Electrical Ratings CE (EN 60947-7-1 / EN 60947-7-2)	500 V ~ / 41 A / 16 mm ²	500 V ~ / 41 A / 6 mm ²
End Plate	NPP / WGO 5 APP / WGO 5	NPP / WGO 5 APP / WGO 5
End Bracket	KD 3 - KD 4 - KD 7	KD 3 - KD 4 - KD 7
Cross Connection	UK 6 / 2-3-4-10	UK 6 / 2-3-4-10
Marking Tags	DG 10/8 - 11.2 Marking Strip	DG 10/8 - 11.2 Marking Strip
Mounting Rails	MR 35	MR 35
Test Plug	TF (Q4)	TF (Q4)

COLOR ORDER NUMBERS

Color	Beige	Blue	Green	Yellow	Red	Black	White	Orange	Brown	Grey
PYK Series0123456789

* Color code is the last digit of the order number

Klemsan®

01 Cross Connectors (Push-in Type)

Cat. No.	Type		Pole
476 602	UK 1,5/2	PYK 1,5 M / 1,5 ME / 1,5 MC	2
476 603	UK 1,5/3	PYK 1,5 M / 1,5 ME / 1,5 MC	3
476 604	UK 1,5/4	PYK 1,5 M / 1,5 ME / 1,5 MC	4
476 609	UK 1,5/10	PYK 1,5 M / 1,5 ME / 1,5 MC	10
476 222	UK 2,5/2	PYK 2,5 / 2,5E / 2,5C / 2,5FK / 2,5-2F / 2,5-2FLD / 2,5-M2 FT / 2,5-M2 F / 3F / 3FT / EA / A / CCA	2
476 223	UK 2,5/3	PYK 2,5 / 2,5E / 2,5C / 2,5FK / 2,5-2F / 2,5-2FLD / 2,5-M2 FT / 2,5-M2 F / 3F / 3FT / EA / A / CCA	3
476 224	UK 2,5/4	PYK 2,5 / 2,5E / 2,5C / 2,5FK / 2,5-2F / 2,5-2FLD / 2,5-M2 FT / 2,5-M2 F / 3F / 3FT / EA / A / CCA	4
476 229	UK 2,5/10	PYK 2,5 / 2,5E / 2,5C / 2,5FK / 2,5-2F / 2,5-2FLD / 2,5-M2 FT / 2,5-M2 F / 3F / 3FT / EA / A / CCA	10
474 260	UK 2,5/16	PYK 2,5 / 2,5E / 2,5C / 2,5FK / 2,5-2F / 2,5-2FLD / 2,5-M2 FT / 2,5-M2 F / 3F / 3FT / EA / A / CCA	10
474 200	UK 2,5/20	PYK 2,5 / 2,5E / 2,5C / 2,5FK / 2,5-2F / 2,5-2FLD / 2,5-M2 FT / 2,5-M2 F / 3F / 3FT / EA / A / CCA	10
476 232	UK 4/2	PYK 4 / 4E / 4-2FN	2
476 233	UK 4/3	PYK 4 / 4E / 4-2FN	3
476 234	UK 4/4	PYK 4 / 4E / 4-2FN	4
476 239	UK 4/10	PYK 4 / 4E / 4-2FN	10
476 242	UK 6/2	PYK 6 / 4 S / 4 SLD / 4 I / 4 ILD / WGO 5 / WGO D5	2
476 243	UK 6/3	PYK 6 / 4 S / 4 SLD / 4 I / 4 ILD / WGO 5 / WGO D5	3
476 244	UK 6/4	PYK 6 / 4 S / 4 SLD / 4 I / 4 ILD / WGO 5 / WGO D5	4
476 249	UK 6/10	PYK 6 / 4 S / 4 SLD / 4 I / 4 ILD / WGO 5 / WGO D5	10
476 252	UK 10/2	PYK 10	2
476 253	UK 10/3	PYK 10	3
476 254	UK 10/4	PYK 10	4
476 259	UK 10/10	PYK 10	10
470 142	CS 16/2	PYK 16	2
470 143	CS 16/3	PYK 16	3
470 144	CS 16/4	PYK 16	4
470 145	CS 10/5	PYK 16	5

02 End Plates

446 639	NPP	Grey	PYK 1,5 M
446 630	NPP	Beige	PYK 1,5 M
446 649	NPP	Grey	PYK 1,5 ME
446 640	NPP	Beige	PYK 1,5 ME
446 659	NPP	Grey	PYK 1,5 MC
446 650	NPP	Beige	PYK 1,5 MC
446 632T	NPP	Yellow-Green	PYK 1,5 MT
446 642T	NPP	Yellow-Green	PYK 1,5 MET
446 652T	NPP	Yellow-Green	PYK 1,5 MCT
446 449	NPP	Grey	PYK 2,5
446 440	NPP	Beige	PYK 2,5
446 442T	NPP	Yellow-Green	PYK 2,5T
446 619	NPP	Grey	PYK 2,5E
446 610	NPP	Beige	PYK 2,5E
446 612T	NPP	Yellow-Green	PYK 2,5ET
446 629	NPP	Grey	PYK 2,5EA
446 620	NPP	Beige	PYK 2,5EA
446 499	NPP	Grey	PYK 2,5C
446 490	NPP	Beige	PYK 2,5C
446 492T	NPP	Yellow-Green	PYK 2,5CT
446 589	NPP	Grey	PYKM 2,5 / PYKMR 2,5
446 580	NPP	Beige	PYKM 2,5 / PYKMR 2,5
446 519	NPP	Grey	PYK 2,5 - 2 F
446 510	NPP	Beige	PYK 2,5 - 2 F
446 529	NPP	Grey	PYK 2,5 - 2FT / 2,5 - 3F
446 520	NPP	Beige	PYK 2,5 - 2FT / 2,5 - 3F

Push-in Type Series Terminals Accessories

02 End Plates



450 429	NPP	Grey	PYK 2,5 - M2 FT
450 420	NPP	Beige	PYK 2,5 - M2 FT
450 439	NPP	Grey	PYK 2,5 - M2 F
450 430	Npp	Beige	PYK 2,5 - M2 F
446 519	NPP	Grey	PYK 2,5 - 2 FK - 2 FLD
446 510	NPP	Beige	PYK 2,5 - 2 FK - 2 FLD
446 539	NPP	Grey	PYK 2,5 - 3FT
446 530	NPP	Beige	PYK 2,5 - 3FT
446 509	NPP	Grey	PYK 2,5 A
446 500	NPP	Beige	PYK 2,5 A
446 549	NPP	Grey	PYK 2,5 CCA
446 540	NPP	Beige	PYK 2,5 CCA
446 459	NPP	Grey	PYK 4
446 450	NPP	Beige	PYK 4
446 452T	NPP	Yellow-Green	PYK 4 T
446 559	NPP	Grey	PYK 4 E
446 550	NPP	Beige	PYK 4 E
446 552T	NPP	Yellow-Green	PYK 4 ET
446 669	NPP	Grey	PYK 4 - 2 FN
446 660	NPP	Beige	PYK 4 - 2 FN
446 469	NPP	Grey	PYK 6
446 460	NPP	Beige	PYK 6
446 462T	NPP	Yellow-Green	PYK 6 T
446 479	NPP	Grey	PYK 10
446 470	NPP	Beige	PYK 10
446 472T	NPP	Yellow-Green	PYK 10 T
450 419	NPP	Grey	PYK 16
450 410	NPP	Beige	PYK 16
450 412T	NPP	Yellow-Green	PYK 16 T
450 359	NPP	Grey	WGO 5 / D5
450 350	NPP	Beige	WGO 5 / D5

03 End Brackets



Cat. No.	Type	Color	
495 040	KD 3	Beige	MR 35
495 049	KD 3	Grey	MR 35
495 050	KD 4	Beige	MR 35
495 059	KD 4	Grey	MR 35
495 069	KD 5	Grey	MR 15
495 210	KD 7	Beige	MR 35
495 219	KD 7	Grey	MR 35

04 Group Marking



Cat. No.	Type	Color	
496 110	GE	Beige	MR 32 / MR 35
496 119	GE	Grey	MR 32 / MR 35
496 259	GE 2	White	AVK 2,5-10 / RD - 4 RD
496 255	GE 3	White	AVK 16-35 / 16 RD - 35 RD
496 12A	ME 1 - 1	Transparent	with KD 4
496 13A	ME 1 - 2	Transparent	with KD 4
496 14A	ME 2 - 2	Transparent	with KD 4
496 300	ME 3	Transparent	with KD 7